



PERTH SERIES

SHOWER HINGES & HARDWARE

CATPERTH_10_23_ZD_V2_AVDV4350

The **Perth Series** of professional hinges are pre-set to accommodate 10 mm thick glass. The gaskets are glued into the hinge to promote rapid installation. Composed of solid brass, the spring will self centre within 25 degrees of the closed position and will open both inwards and outwards. Selected hardware available in ten finishes including Polished Chrome, Brushed Nickel, Matt Black, Polished Brass, Brushed Brass, Brushed Antique Brass, Satin Chrome, White, Matt Gun Metal and Brushed Rose Gold.

SPECIFICATIONS (10 MM THICK GLASS)					
MAXIMUM CAPACITY	DOOR WEIGHT	DOOR WIDTH	MAXIMUM CAPACITY	DOOR WEIGHT	DOOR WIDTH
USING TWO HINGES	36kg	711 mm	USING THREE HINGES	54kg	813 mm



AVAILABLE FINISHES



POLISHED
CHROME



SATIN
CHROME



BRUSHED
NICKEL



MATT
BLACK



POLISHED
BRASS



WHITE



BRUSHED
BRASS



MATT GUN
METAL



BRUSHED
ANTIQUE
BRASS

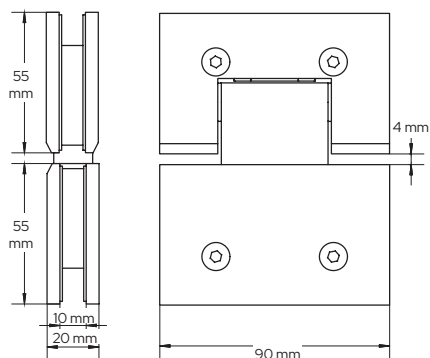
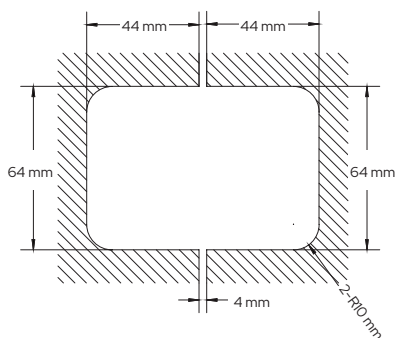


BRUSHED
ROSE
GOLD

PERTH SERIES SHOWER HINGES

180 Degree Glass to Glass Hinge

- 180 Degree Glass to Glass
- Solid Brass Construction
- Suitable for 10 mm Thick Glass
- Glued in Gasket
- Recommended Glass to Glass Clearance: 4 mm



180 DEGREE GLASS TO GLASS HINGE

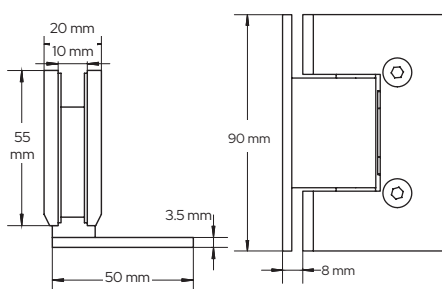
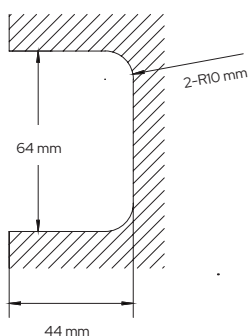
CAT. NO.	COLOUR
PER180CH	Polished Chrome
PER180BN	Brushed Nickel
PER180MBL	Matt Black
PER180BR	Polished Brass
PER180BB	Brushed Brass
PER180BAB	Brushed Antique Brass
PER180SC	Satin Chrome
PER180MGM	Matt Gun Metal
PER180BRG	Brushed Rose Gold
PER180W	White

Adjustable Hinges

PER380CH	Polished Chrome
PER380BN	Brushed Nickel
PER380MBL	Matt Black

Wall to Glass Offset Hinge

- Offset Back Plate
- Solid Brass Construction
- Suitable for 10 mm Thick Glass
- Glued in Gasket
- Recommended Wall to Glass Clearance: 8 mm



WALL TO GLASS HINGE OFFSET PLATE

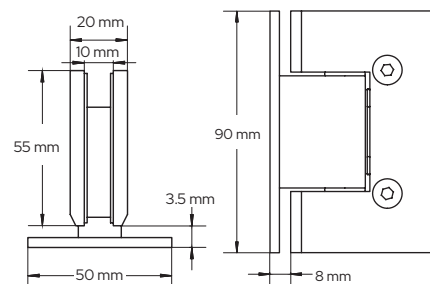
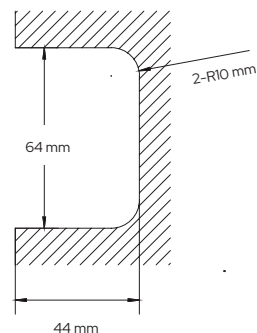
CAT. NO.	COLOUR
PER044CH	Polished Chrome
PER044BN	Brushed Nickel
PER044MBL	Matt Black
PER044BR	Polished Brass
PER044BB	Brushed Brass
PER044BAB	Brushed Antique Brass
PER044SC	Satin Chrome
PER044MGM	Matt Gun Metal
PER044BRG	Brushed Rose Gold
PER044W	White

Adjustable Hinges

PER344CH	Polished Chrome
PER344BN	Brushed Nickel
PER344MBL	Matt Black

Wall to Glass Centered Hinge

- Full Back Plate
- Solid Brass Construction
- Suitable for 10 mm Thick Glass
- Glued in Gasket
- Recommended Wall to Glass Clearance: 8 mm



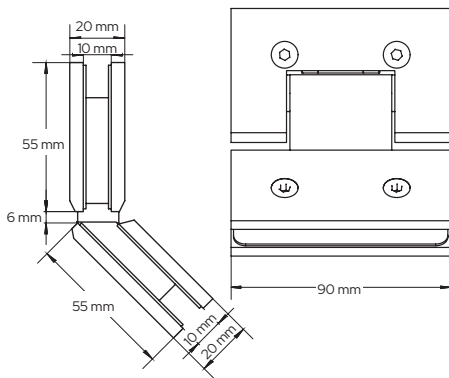
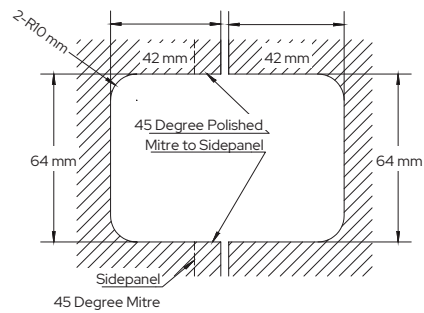
WALL TO GLASS HINGE CENTERED PLATE

CAT. NO.	COLOUR
PER037CH	Polished Chrome
PER037BN	Brushed Nickel
PER037MBL	Matt Black

PERTH SERIES SHOWER HINGES

135 Degree Glass to Glass Hinge

- 135 Degree Glass to Glass
- Solid Brass Construction
- Suitable for 10 mm Thick Glass
- Glued in Gasket
- Recommended Glass to Glass Clearance: 6 mm



135 DEGREE GLASS TO GLASS HINGE

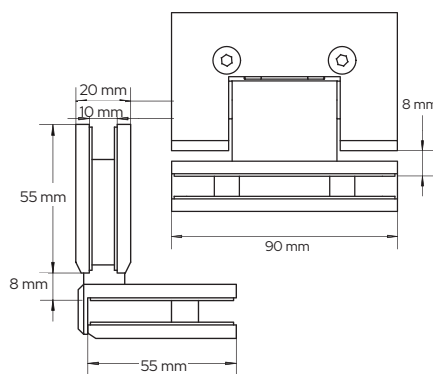
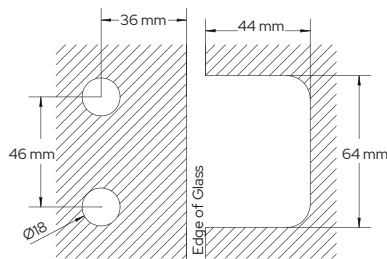
CAT. NO.	COLOUR
PERO45CH	Polished Chrome
PERO45BN	Brushed Nickel
PERO45MBL	Matt Black
PERO45BR	Polished Brass
PERO45BB	Brushed Brass
PERO45BAB	Brushed Antique Brass

Adjustable Hinges

PER345CH	Polished Chrome
PER345BN	Brushed Nickel
PER345MBL	Matt Black

90 Degree Glass to Glass Hinge

- 90 Degree Glass to Glass
- Solid Brass Construction
- Suitable for 10 mm Thick Glass
- Glued in Gaskets
- Recommended Glass to Glass Clearance: 8 mm

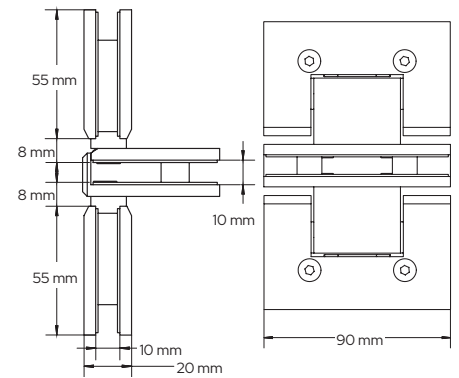
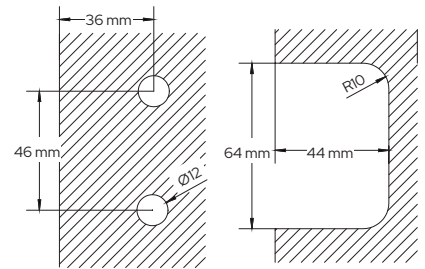


90 DEGREE GLASS TO GLASS HINGE

CAT. NO.	COLOUR
PERO92CH	Polished Chrome
PERO92BN	Brushed Nickel
PERO92MBL	Matt Black
PERO92BR	Polished Brass
PERO92BB	Brushed Brass
PERO92BAB	Brushed Antique Brass

"T" Configuration Glass Hinge

- "T" Configuration Back to Back
- Solid Brass Construction
- Suitable for 10 mm Thick Glass
- Glued in Gaskets
- Recommended Glass to Glass Clearance: 8 mm



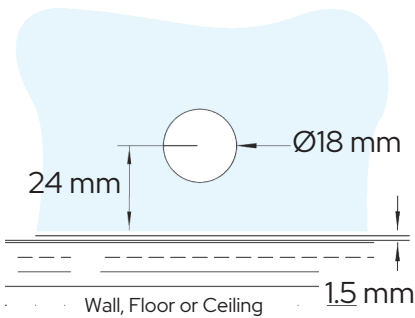
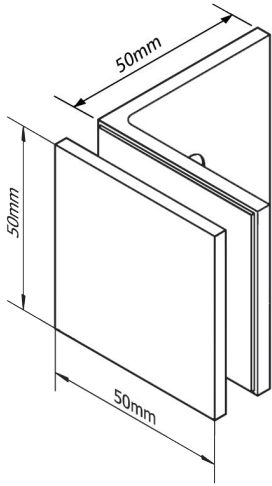
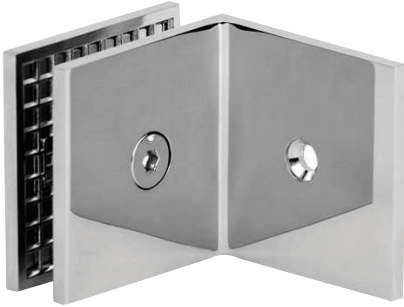
"T" CONFIGURATION BACK TO BACK GLASS HINGE

CAT. NO.	COLOUR
PERT90CH	Polished Chrome
PERT90BN	Brushed Nickel
PERT90MBL	Matt Black

CLAMPS & BRACKETS SHOWER ACCESSORIES

Square 90° Wall to Glass Bracket

- Wall Mount Clamp
- Brass Construction
- Suitable For 10 to 12 mm Thick Glass
- **4 NEW FINISHES AVAILABLE**

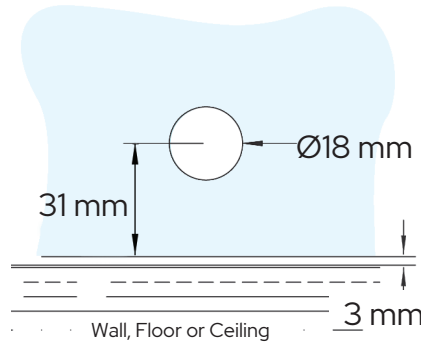
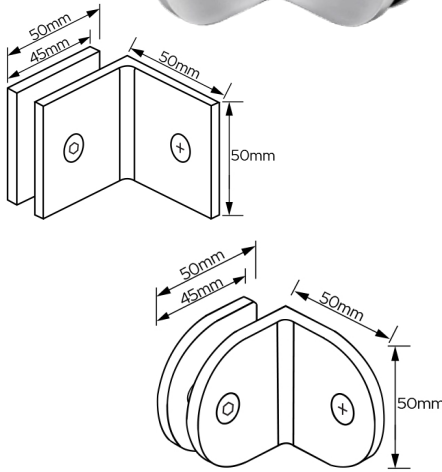


SQUARE 90° WALL TO GLASS BRACKET

CAT. NO.	COLOUR
SGCWMCH	Polished Chrome
SGCWMBN	Brushed Nickel
SGCWMMBL	Matt Black
SGCWMBR	Polished Brass
SGCWMBB	Brushed Brass
SGCWMBAB	Brushed Antique Brass
SGCWMSC	Satin Chrome
SGCWMMGM	Matt Gun Metal
SGCWMBRG	Brushed Rose Gold
SGCWMMW	White

Square & NEW Round 90° Wall to Glass Bracket

- Wall Mount Clamp
- Brass Construction
- Suitable For 10 to 12 mm Thick Glass
- 45 mm Wide Front Plate for Quick Silicone Sealing

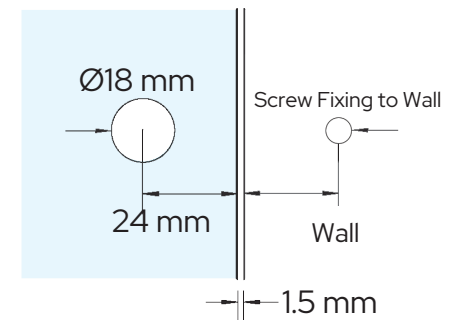
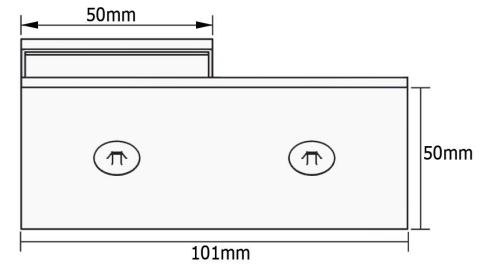


SQUARE & ROUND 90° WALL TO GLASS BRACKET

CAT. NO.	COLOUR
Square Profile	
SGC50CH	Polished Chrome
SGC50BN	Brushed Nickel
SGC50MBL	Matt Black
SGC50BR	Polished Brass
SGC50BB	Brushed Brass
SGC50BAB	Brushed Antique Brass
SGC50SC	Satin Chrome
SGC50MG	Matt Gun Metal
SGC50BRG	Brushed Rose Gold
SGC50W	White
Round Profile	
SGCR50CH	NEW Polished Chrome
SGCR50BN	NEW Brushed Nickel
SGCR50MBL	NEW Matt Black

Square 180° Wall to Glass Inline Bracket

- Wall Mount 180° Inline Clamp
- Brass Construction
- Suitable For 10 to 12 mm Thick Glass
- 1.5 mm Gap Between Glass & Wall



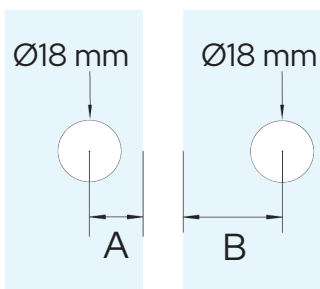
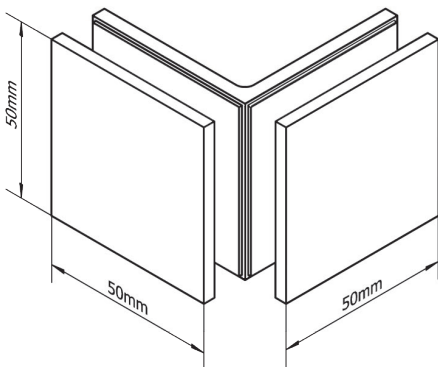
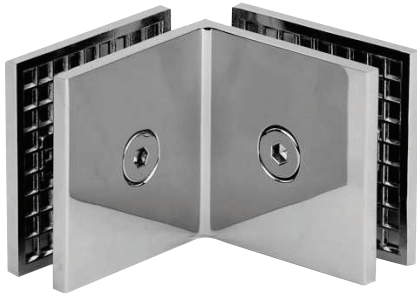
SQUARE WALL TO GLASS 180° INLINE BRACKET

CAT. NO.	COLOUR
SGC180WMCH	Polished Chrome
SGC180WMBN	Brushed Nickel
SGC180WMMBL	Matt Black
SGC180WMBR	Polished Brass
SGC180WMBB	Brushed Brass
SGC180WMBAB	Brushed Antique Brass

CLAMPS & BRACKETS SHOWER ACCESSORIES

Square 90° Glass to Glass Bracket

- 90 Degree Glass to Glass Clamp
- Brass Construction
- Suitable For 10 to 12 mm Thick Glass
- 1.5 mm Gap Between Glass Panels



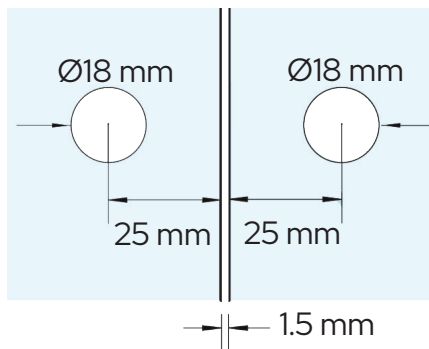
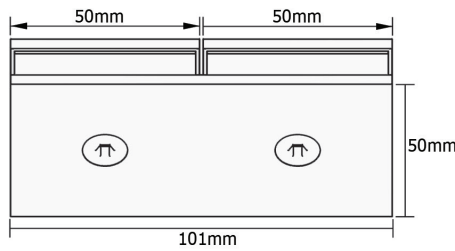
GLASS THICKNESS	"A"	"B"
10 mm	25 mm	37 mm
12 mm	25 mm	39 mm

SQUARE GLASS TO GLASS 90° BRACKET

CAT. NO.	COLOUR
SGC90DCH	Polished Chrome
SGC90DBN	Brushed Nickel
SGC90DBL	Matt Black
SGC90DBR	Polished Brass
SGC90DBB	Brushed Brass
SGC90DBAB	Brushed Antique Brass

Square 180° Glass to Glass Bracket

- 180 Degree Glass to Glass Clamp
- Brass Construction
- Suitable For 10 to 12 mm Thick Glass
- 1.5 mm Gap Between Glass Panels

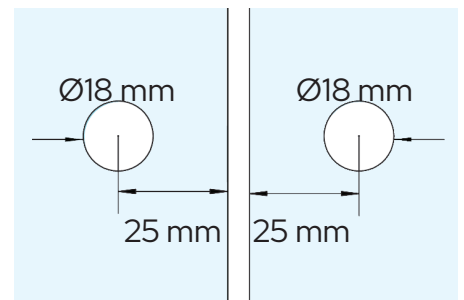
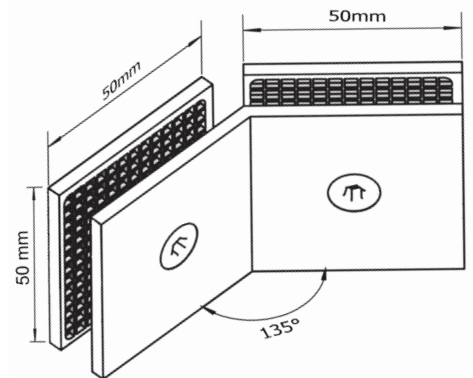
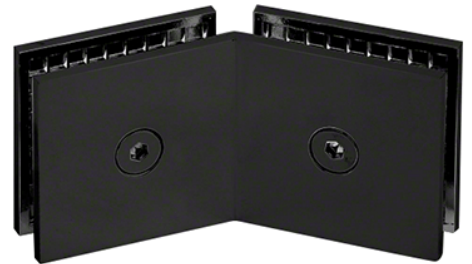


SQUARE GLASS TO GLASS 180° BRACKET

CAT. NO.	COLOUR
SGC180DCH	Polished Chrome
SGC180DBN	Brushed Nickel
SGC180DBL	Matt Black
SGC180DBR	Polished Brass
SGC180DBB	Brushed Brass
SGC180DBAB	Brushed Antique Brass

Square 135° Glass to Glass Bracket

- 135 Degree Glass to Glass Clamp
- Brass Construction
- Suitable For 10 to 12 mm Thick Glass
- 1.5 mm Gap Between Glass Panels



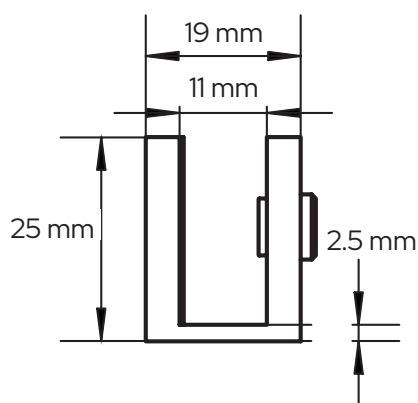
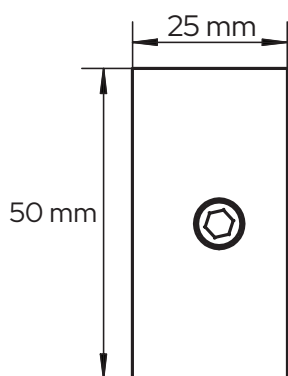
SQUARE GLASS TO GLASS 135° BRACKET

CAT. NO.	COLOUR
SGC135DCH	Polished Chrome
SGC135DBN	Brushed Nickel
SGC135DBL	Matt Black
SGC135DBR	Polished Brass
SGC135DBB	Brushed Brass
SGC135DBAB	Brushed Antique Brass

CLAMPS & BRACKETS SHOWER ACCESSORIES

Square No Drill Clamp

- Solid Brass Construction
- Suitable for 10 mm Thick Glass
- Grub Screw Attachment to Glass



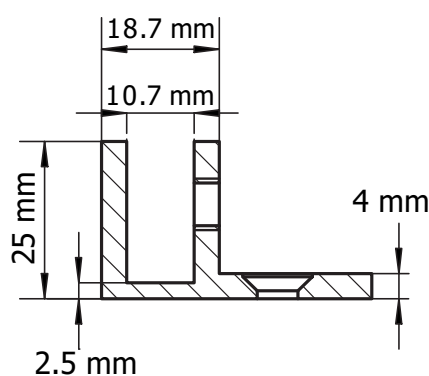
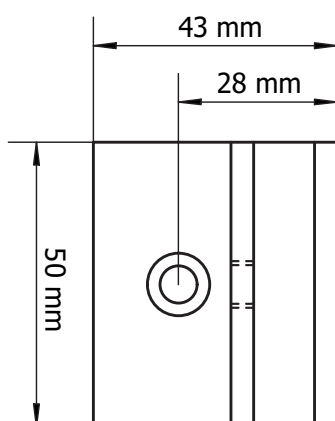
SQUARE NO DRILL CLAMP

CAT. NO.	COLOUR
SGCNDCH	Polished Chrome
SGCNDNB	Brushed Nickel
SGCNDMBL	Matt Black
SGCNDBR	Polished Brass
SGCNDBB	Brushed Brass
SGCNDLAB	Brushed Antique Brass
SGCNDSC	Satin Chrome
SGCNDMGM	Matt Gun Metal
SGCNDRG	Brushed Rose Gold
SGCNDW	White

SQUARE NO DRILL CLAMP FOR 12MM GLASS	
SGCND12CH	Polished Chrome

Square No Drill Clamp with Leg

- Offset Fixing Plate
- Solid Brass Construction
- Suitable for 10 mm Thick Glass
- Grub Screw Attachment to Glass

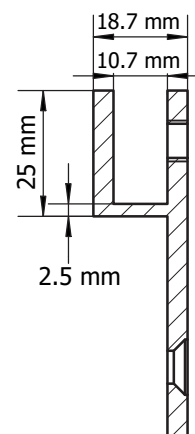
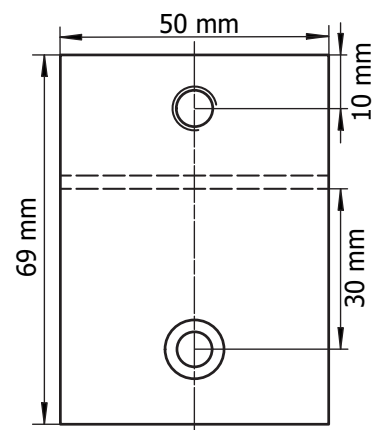
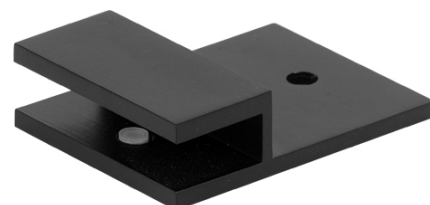


SQUARE NO DRILL CLAMP WITH LEG

CAT. NO.	COLOUR
SGCNDLCH	Polished Chrome
SGCNDLBN	Brushed Nickel
SGCNDLMBL	Matt Black
SGCNDLBR	Polished Brass
SGCNDLBB	Brushed Brass
SGCNDLAB	Brushed Antique Brass
SGCNDLSC	Satin Chrome
SGCNDLMGM	Matt Gun Metal
SGCNDLRG	Brushed Rose Gold
SGCNDLW	White

Square No Drill Clamp with 180° Inline Leg

- 180 Degree Inline Wall Mount
- Solid Brass Construction
- Suitable for 10 mm Thick Glass
- Grub Screw Attachment to Glass



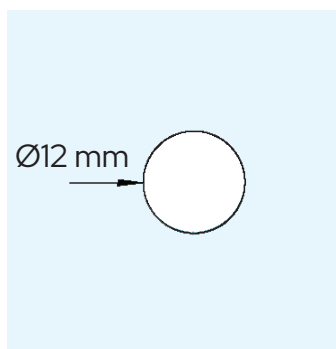
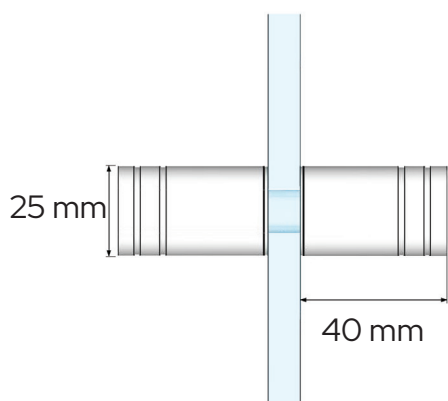
SQUARE NO DRILL CLAMP WITH 180° INLINE LEG

CAT. NO.	COLOUR
SGCNDL180CH	Polished Chrome
SGCNDL180BN	Brushed Nickel
SGCNDL180MBL	Matt Black
SGCNDL180BB	Brushed Brass

DOOR KNOBS SHOWER ACCESSORIES

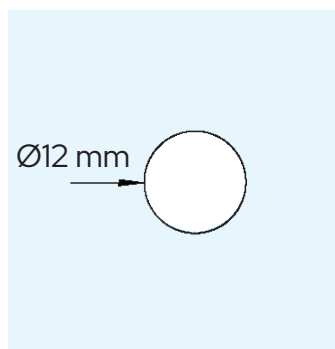
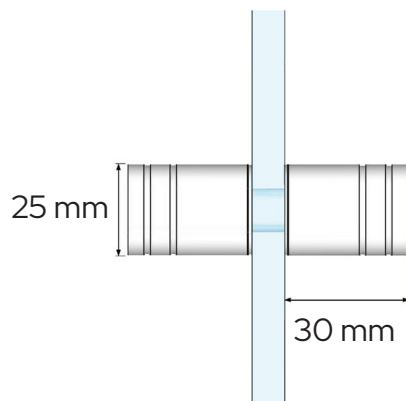
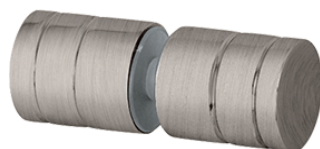
Round Long Shower Knob

- 25 mm x 40 mm Round Back to Back Knob
- Brass Construction
- Suitable for 6-12 mm Thick Glass
- Requires a 12 mm Hole in Glass
- Available in 10 Popular Finishes



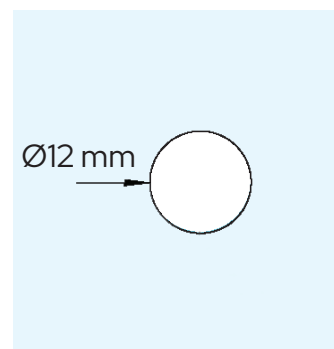
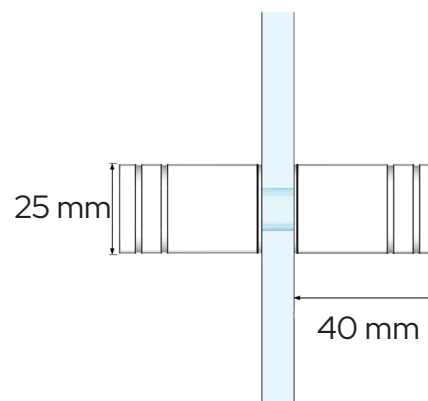
Round Short Shower Knob

- 25 mm x 30 mm Round Back to Back Knob
- Brass Construction
- Suitable for 6-12 mm Thick Glass
- Requires a 12 mm Hole in Glass



Square Shower Knob

- Square 25 mm x 25 mm Back to Back Knob
- Brass Construction
- Suitable for 6-12 mm Thick Glass
- Requires a 12 mm Hole in Glass



ROUND LONG SHOWER KNOB

CAT. NO.	COLOUR
SDKR2540CH	Polished Chrome
SDKR2540BN	Brushed Nickel
SDKR2540MBL	Matt Black
SDKR2540BR	Polished Brass
SDKR2540BB	Brushed Brass
SDKR2540BAB	Brushed Antique Brass
SDKR2540SC	Satin Chrome
SDKR2540MGM	Matt Gun Metal
SDKR2540BRG	Brushed Rose Gold
SDKR2540W	White

ROUND SHORT SHOWER KNOB

CAT. NO.	COLOUR
SDKR2530CH	Chrome
SDKR2530BN	Brushed Nickel
SDKR2530MBL	Matt Black

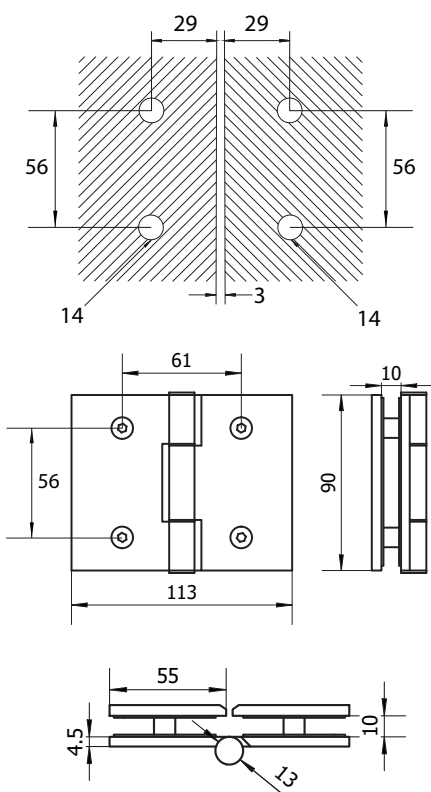
SQUARE SHOWER KNOB

CAT. NO.	COLOUR
SDKSQCH	Chrome
SDKSQBN	Brushed Nickel
SDKSQMBL	Matt Black

ADELAIDE / DARWIN SERIES SHOWER HINGES

Adelaide Series Bifold Hinge

- Solid Brass Construction
- Suitable for 8 - 12 mm Thick Glass
- Door Weight Capacity;
Two Hinges - 36 kg,
Three Hinges 54 kg
- Door Width Capacity;
Two Hinges - 711 mm,
Three Hinges 813 mm
- Recommended Glass to Glass
Clearance: 3 mm
- Glued in Gaskets

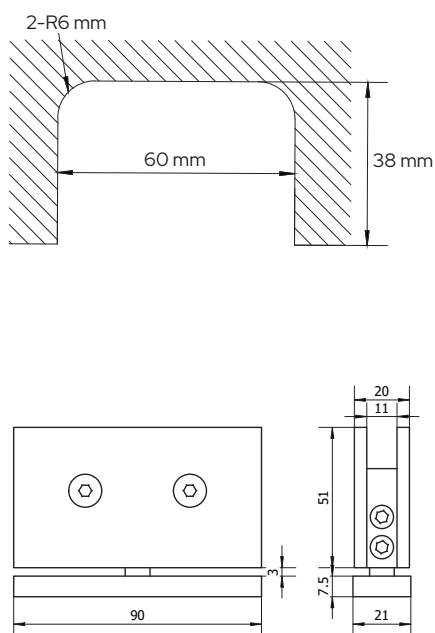


ADELAIDE BIFOLD HINGE

CAT. NO.	COLOUR
ADL180CH	Chrome
ADL180BN	Brushed Nickel
ADL180MBL	Matt Black
ADL180BB	Brushed Brass

Darwin Series Top/Bottom Pivot Hinge

- Solid Brass Construction
- Suitable for 8-10 mm Thick Glass
- Door Weight Capacity of 45kg
- Door Width Capacity of 787mm
- Multiple Gaskets
- Recommended Glass to Floor
Clearance: 11 mm

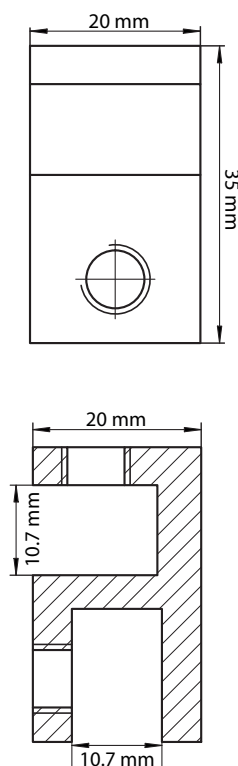


DARWIN TOP/BOTTOM MOUNT PIVOT HINGE

CAT. NO.	COLOUR
DAR01CH	Chrome
DAR01BN	Brushed Nickel
DAR01MBL	Matt Black

Overhead Panel Support Clamp

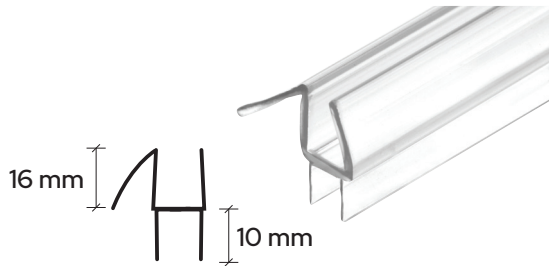
- Suitable for 8 mm - 10 mm Glass
- Solid Brass Construction
- Glass to Glass Clearance: 5 mm
- Grub Screw Attachment to Glass
- **5 NEW FINISHES AVAILABLE**



OVERHEAD PANEL SUPPORT CLAMP

CAT. NO.	COLOUR
SUPA10CH	Chrome
SUPA10BN	Brushed Nickel
SUPA10MBL	Matt Black
SUPA10BR	Polished Brass PVD
SUPA10BB	Brushed Brass PVD
SUPA10BAB NEW	Brushed Antique Brass
SUPA10SC NEW	Satin Chrome
SUPA10MGM NEW	Matt Gun Metal
SUPA10BRG NEW	Brushed Rose Gold
SUPA10W NEW	White

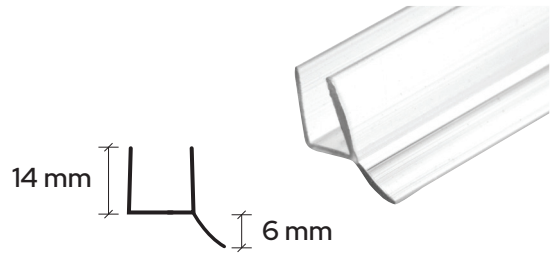
Clear Co-Extruded Bottom Wipe with Drip Rail



CLEAR CO-EXTRUDED BOTTOM WIPE WITH DRIP RAIL

CAT. NO.	LENGTH	GLASS THICKNESS
P914WS	2.4 m	6 MM
P956WS	2.4 m	8 MM
P990WS	2.4 m	10 MM
P912WS	2.4 m	12 MM

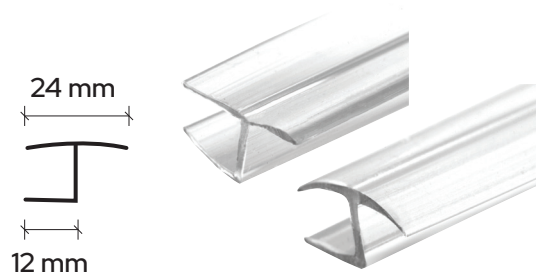
Clear Dual Durometer PVC Seal with Wipe



CLEAR DUAL DUROMETER PVC SEAL WITH WIPE

CAT. NO.	LENGTH	GLASS THICKNESS
P14WS	2.4 m	6 MM
P770WS	2.4 m	8 MM
P880WS	2.4 m	10 MM
P120WS	2.4 m	12 MM

Clear Polycarbonate Soft / Hard Leg 'h' Jamb 180 Degree



CLEAR POLYCARBONATE SOFT / HARD LEG 'H' JAMB 180 DEGREE

CAT. NO.	LEG TYPE	LENGTH	GLASS THICKNESS
PCC8	SOFT LEG	2.4 m	8 MM
PCC10	SOFT LEG	2.4 m	10 MM
PCC12	SOFT LEG	2.4 m	12 MM
P140HJ	HARD LEG	2.4 m	6 MM
P516HJ	HARD LEG	2.4 m	8 MM
P380HJ	HARD LEG	2.4 m	10 MM
P120HJ	HARD LEG	2.4 m	12 MM

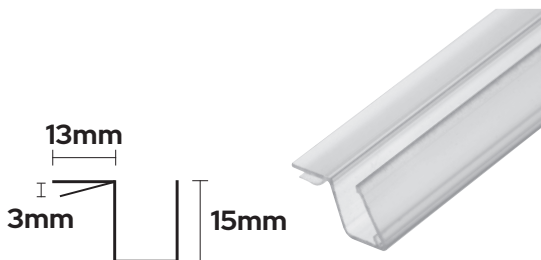
Clear Polycarbonate 'U' with Bulb Seal



CLEAR POLYCARBONATE 'U' WITH BULB SEAL

CAT. NO.	LENGTH	GLASS THICKNESS
PCR8	2.4 m	8 MM
PCR10	2.4 m	10 MM
PCR12	2.4 m	12 MM

Clear 90 Degree Strike Side Seal



CLEAR 90 DEGREE STRIKE SIDE SEAL

CAT. NO.	LENGTH	GLASS THICKNESS
PCJ8	2.4 m	8 MM
PCJ10	2.4 m	10 MM

Translucent Vinyl Edge 'V' Seal with Tape



TRANSLUCENT VINYL EDGE 'V' SEAL WITH TAPE

CAT. NO.	LENGTH / PACK QTY	SIZE
SDTST2	2.4 m - Packs of 5	8 mm Soft & 8 mm Rigid Leg



Call on 1800 424 275

Fax on 1800 813 013

Melbourne

42 Enterprise Drive

Rowville

VIC 3178

Tel. +61 3 9764 8322

Sydney

9 Shale Place

Eastern Creek

NSW 2766

Tel. +61 2 9851 3444

Enquiries

Email: crlaus@crlaurence.com

www.crlaurence.com.au

CRL[®]