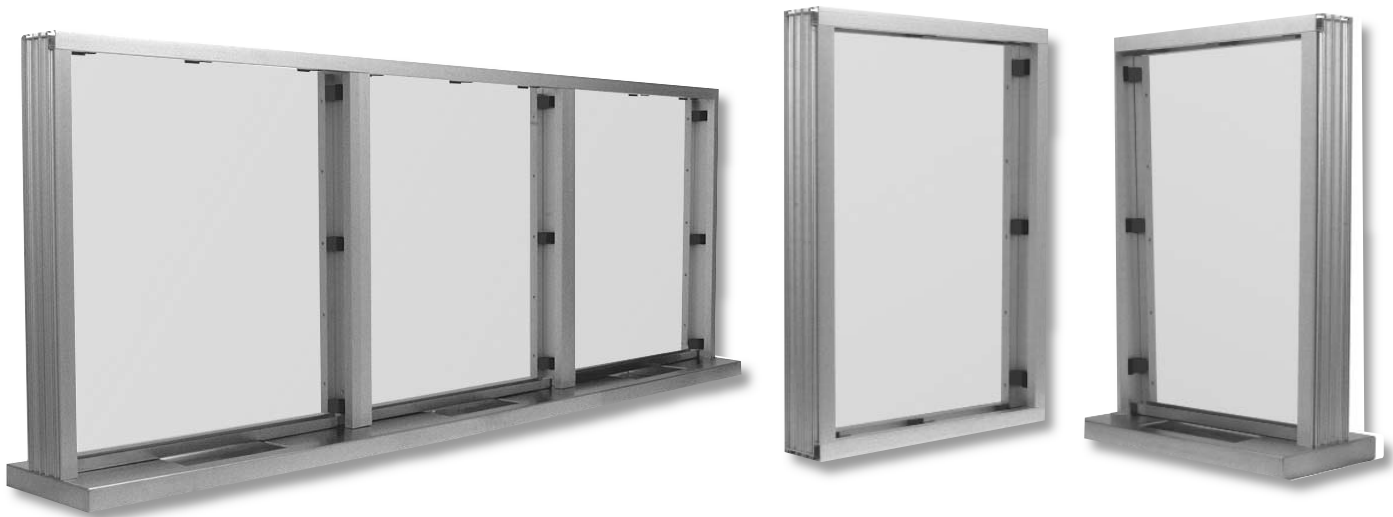


## Installation Instructions

### Narrow Inset Frame Windows

C.R. Laurence Narrow Inset Frame Windows are manufactured to your specifications. Options include full frame vision windows, windows with shelves, surround sound, speak-thrus, multiple station windows and more. This installation guideline covers steps common to most Narrow Inset Frame installations. If additional installation information is required, call CRL for assistance.



## IMPORTANT: PLEASE READ BEFORE INSTALLING WINDOW

The Following Instructions Will Reduce Your Chances of Experiencing Problems During Installation

### WINDOW CHECKLIST

Remove the window from package and inspect. Advise CRL immediately if any damage is noted.

### MATERIALS INCLUDED

Window and Components

### MATERIALS RECOMMENDED (NOT INCLUDED)

1. CRL Cat. No. 199 Utility Knife
2. CRL Cat. No. M64 Construction Sealant (Select Color)
3. CRL Cat. No. NWS9 Tapered Wood Shims
4. Fasteners and anchors as required based on wall substrate product is being installed in.

### INSTALLATION REQUIREMENTS

All windows must be installed plumb and level. Based on the wall substrate, correct anchors and screws must be used to properly secure the window into the opening.

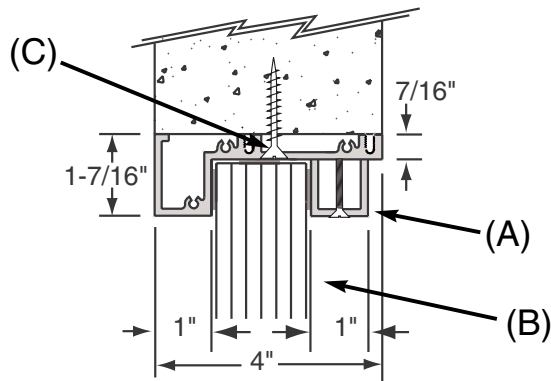


## Installation Instructions

### Narrow Inset Frame Windows

#### INSTALLATION PROCEDURES

1. Check the opening to be sure it is square and has the proper clearances.
  - a) Wall opening width is recommended  $1/2''$  minimum more than the window width
  - b) Wall opening height is recommended  $1/4''$  minimum more than the window height
2. If the window was purchased with glazing, it may be packed in a few different ways: glazing installed in the window; glazing in the same crate but not installed in the window; window and the glazing in separate crates. The installation guidelines shown below are based on a full frame vision window that comes with the glazing installed.



- a) Remove the interior glazing stop (A) then carefully remove the glazing (B) from the window and set aside. If the window was purchased with black surround sound spacer blocks (optional item) on the edge of the glazing, also set these aside after noting their positions. **When removing the glazing keep in mind that a careless tap from a tool, laying the glazing on any of its corners, or any other careless act may damage the glazing.**
  - b) Drill and countersink holes in the mainframe, making sure that the countersink is deep enough to accommodate your entire screw head, leaving it flush or slightly below the surface (C). Re-tighten all the screws holding the mainframe together, as some may have loosened during transit.
  - c) Slip the mainframe into the opening, with the bottom of the window setting on the base. Starting at the top, shim down both sides with CRL Cat. No. NWS9 Tapered Wood Shims equally in the opening. This can easily be accomplished by inserting the shims opposing each other (one from the outside and one from the inside). Gently push them together until you have filled the equally spaced gaps. Now secure the top of each side jamb with your flat head screws (not included). Do not tighten the screws at this time, just snug them in place. Continue the shimming and securing process down both sides of the window, allowing the exact same space that you allowed at the top. After this procedure is completed, with clearances and squareness checked, gently tap the tapered shims together to achieve a tight fit. Tighten the screws. Now shim across the top and bottom of the window using the same procedures as listed above for both sides.
  - d) Before you reinstall the glazing, if your window *DID* include the black surround sound spacer blocks around the glazing, reinstall the spacers equally on the glazing. If your window *DID NOT* include black surround sound spacer blocks, you will have double faced foam tape on the mainframe. Remove the release liner to expose the adhesive on the foam tape.
  - e) Reinstall the glazing into the mainframe, taking the same precautions as when removing the glazing.
  - f) Reinstall the interior glazing stop.
  - g) Caulk around the mainframe with CRL Cat. No. M64 Construction Sealant.
3. Using a soft cloth or sponge, gently clean the window with a mild solution of soap or detergent and lukewarm water. Thoroughly dry when done to prevent water spots. Avoid chemical cleaners, abrasive cleaners and/or cleaning implements that may cause damage.