



BELLAGIO SERIES

Adjustable Shower Door Hinges

CATBEL_03_26_ZD_V4

Your Advantages

- High quality adjustable shower door hinges
- Exact zero position adjustable
- Modern square design
- Compact measurements
- Self closing from approximately 25°
- Cover plates for concealed screws
- Small clearance gaps for use without seals
- Solid Brass
- For 8 and 10 mm toughened safety glass
- Tested to DIN EN 14428 with 100,000 cycles

Technical Data



50 kg Maximum Door Weight



1,000 mm Maximum Door Width



Glass Thickness 8-10 mm



Zero Position Adjustability in the 180°





AVAILABLE FINISHES



Bellagio Finishes
Sample Box
([BEL344BBRZSAUS](#))



Polished Chrome
([CH](#))

CRL® BELLAGIO SERIES FINISH CROSS REFERENCE GUIDE

CRL	Sussex®	Brodware®	Astra Walker®	Faucet Strommen®	ABI Interiors®	Milli®	Nero®	Phoenix®	
Cool Metals									
Polished Chrome	Chrome	Durobrite Chrome	Chrome	Chrome	Chrome	Chrome	Chrome	Chrome	
Matte Black	Opium Black	Nero	Matt Black	Switzrock Matte Black	Matte Black	Matte Black	Matte Black	Matte Black	
Warm White Metals									
Brushed Nickel	Brushed Oyster Nickel	Brushed Nickel	Brushed Platinum	Brushed New Nickel	Brushed Nickel (SB)	Brushed Nickel	Brushed Nickel	Brushed Nickel	
Matte Gun Metal			Iron Bronze		Brushed Gun Metal (SS)		Gun Metal	Brushed Carbon	
Brushed Gun Metal	Brushed Smoke Gunmetal	Aged Iron		Brushed Graphite	Brushed Gun Metal (SB)	Brushed Gun Metal			
Warm Yellow Metals									
Polished Brass	Pure Gold	Polished Gold	Natural Brass	Polished Liberty Gold					
Satin Brass		Brushed Nordic Brass	Urban Brass	Brushed Liberty Gold	Brushed Brass (SS)	Brushed Gold		Brushed Gold	
Brushed Bronze	Brushed Pure Gold	Brushed Gold							
Brushed Antique Brass							Aged Brass		
Pink Toned Metals									
Brushed Copper Bronze	Brushed Silk Rose Gold	Brushed Copper	Tuscan Bronze		Brushed Copper (SS)				
Matte Brushed Copper			Sydney Bronze		Brushed Copper (SB)	Brushed Bronze			

The trademarks listed above : Sussex®, Brodware®, Astra Walker®, Faucet Strommen®, ABI Interiors, Milli®, Nero®, Phoenix®, Yabby®, Meir®, Estelle®, Mizu®, RainCo®, Oliveri®, Alma® and Caroma® are the property of their respective owners and they are referenced in these materials for information only. CRL does not claim any ownership or interest in these trademarks, nor does CRL endorse any of the products sold by third-parties bearing any of these trademarks.



Brushed Nickel
(BN)



Matte Black
(MBL)



Brushed Gun Metal
(BGM)



Matte Gun Metal
(MGM)



Matte Brushed Copper
(MBC)



Polished Brass
(BR)



Satin Brass
(SB)



Brushed Bronze
(BBRZ)



Brushed Antique Brass
(BAB)



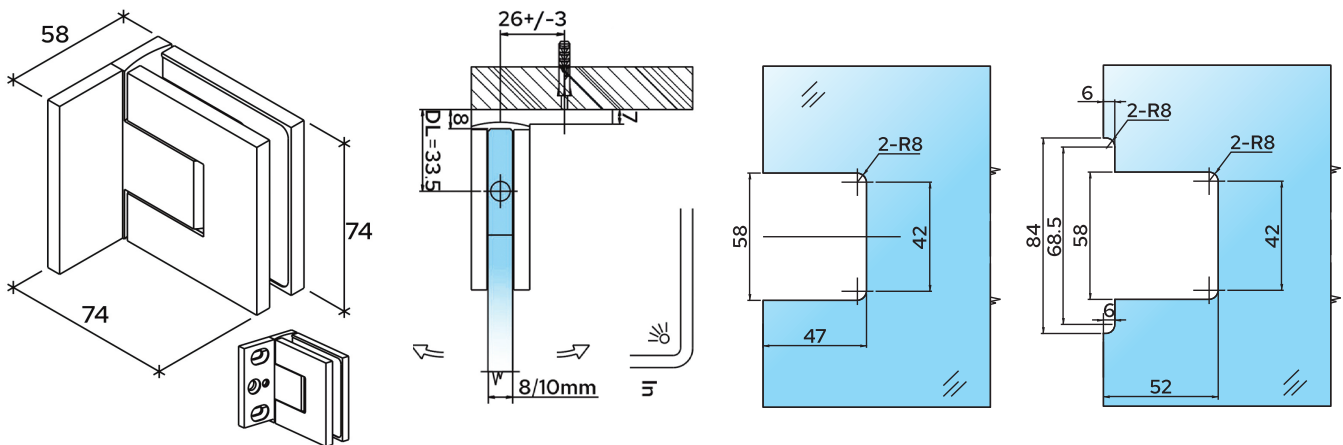
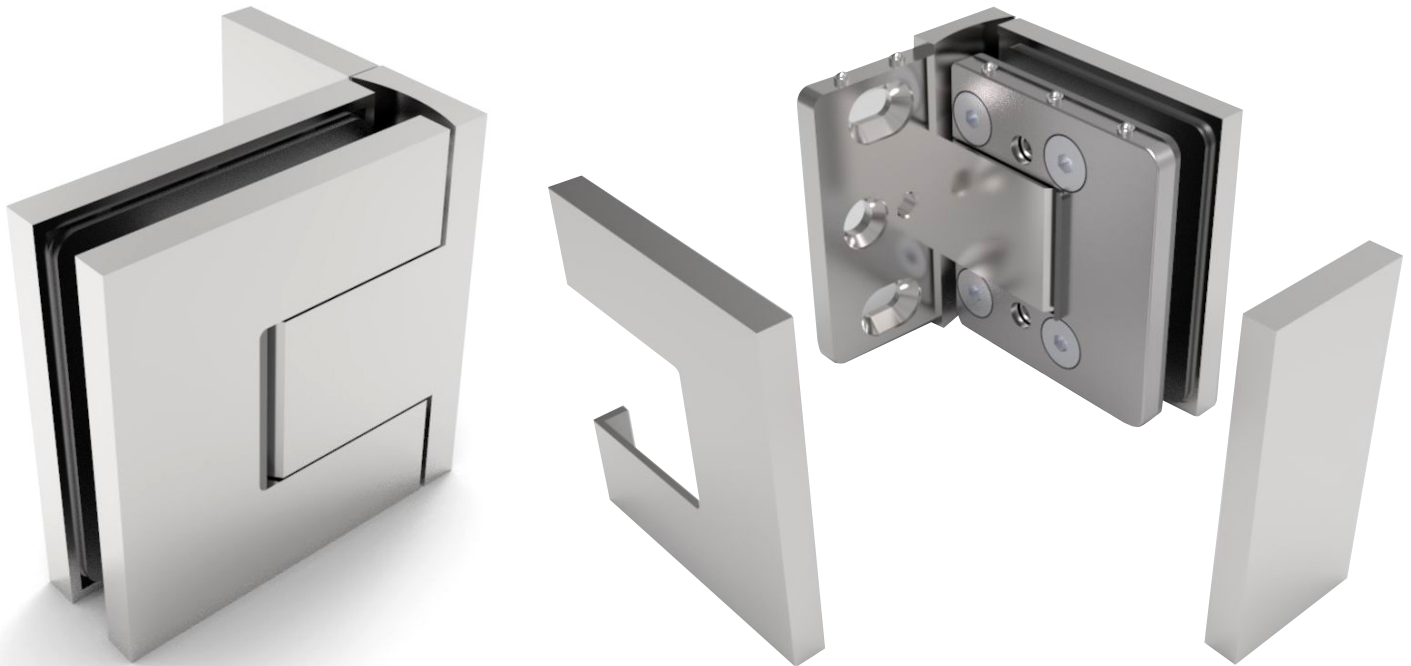
Brushed Copper Bronze
(BCB)

CRL BELLAGIO SERIES FINISH CROSS REFERENCE GUIDE

CRL	Yabby®	Meir®	Estelle®	Mizu®	RainCo®	Oliveri®	Alma®	Caroma®
Cool Metals								
Polished Chrome	Chrome	Polished Chrome	Polished Chrome	Chrome		Chrome		Chrome
Matte Black	Matte Black	Matte Black	Matte Black	Matte Black	Matte Black	Matte Black	Matte Black	Matte Black
Warm White Metals								
Brushed Nickel		Brushed Nickel	Satin Nickel	Brushed Nickel	Brushed Nickel	Brushed Nickel	Brushed Nickel	Brushed Nickel
Matte Gun Metal	Gunmetal			Brushed Gunmetal	Gun Metal Brushed	Gunmetal	Brushed Gunmetal	Gun Metal
Brushed Gun Metal								
Warm Yellow Metals								
Polished Brass			Gold Polish					
Satin Brass			Brushed Brass Electro		Brushed Brass			
Brushed Bronze				Brushed Gold		Brushed Gold	Brushed Brass Gold	
Brushed Antique Brass					Antique Brass		Vintage Brass	
Pink Toned Metals								
Brushed Copper Bronze		Lustre Bronze	Brushed Rose Gold			Copper		Brushed Bronze
Matte Brushed Copper					Brushed Copper			



CRL BELLAGIO ADJUSTABLE HINGE WITH COVER PLATES 90° GLASS-WALL



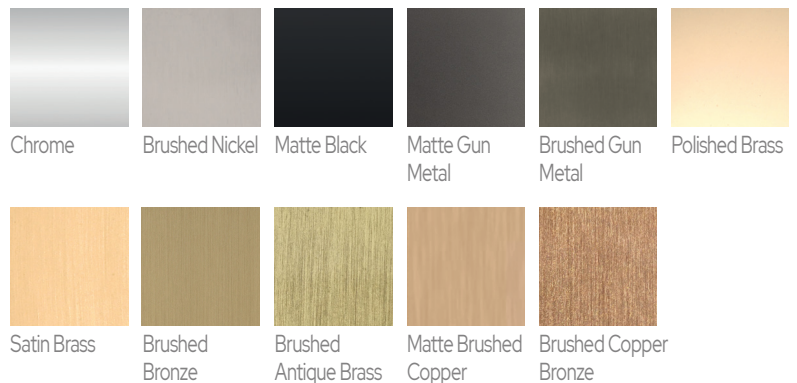
CAT. NO. FINISH

BEL344CH	Polished Chrome
BEL344BN	Brushed Nickel
BEL344MBL	Matte Black
BEL344BR	Polished Brass
BEL344SB	Satin Brass
BEL344BAB	Brushed Antique Brass
BEL344BBRZ	Brushed Bronze
BEL344MGM	Matte Gun Metal
BEL344BGM	Brushed Gun Metal
BEL344MBC	Matte Brushed Copper
BEL344BCB	Brushed Copper Bronze

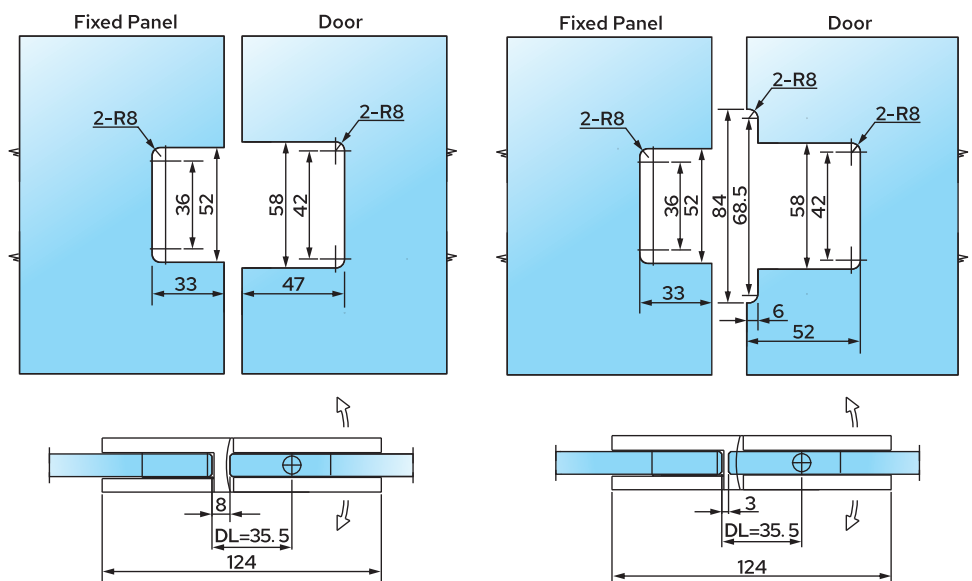
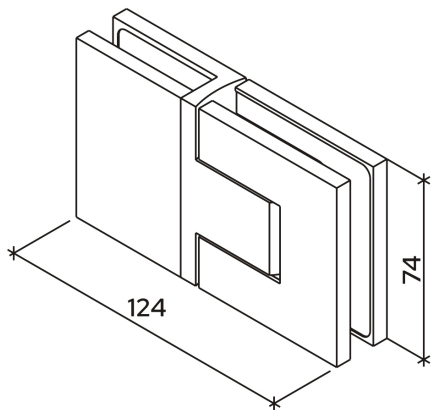
3mm Backing Plate Spacer

BEL344SPCH	Polished Chrome
BEL344SPMBL	Matte Black

Finishes

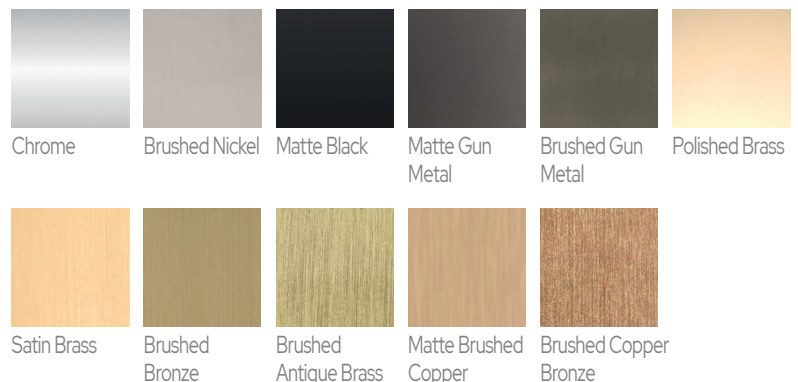


CRL BELLAGIO ADJUSTABLE HINGE WITH COVER PLATES 180° GLASS-GLASS

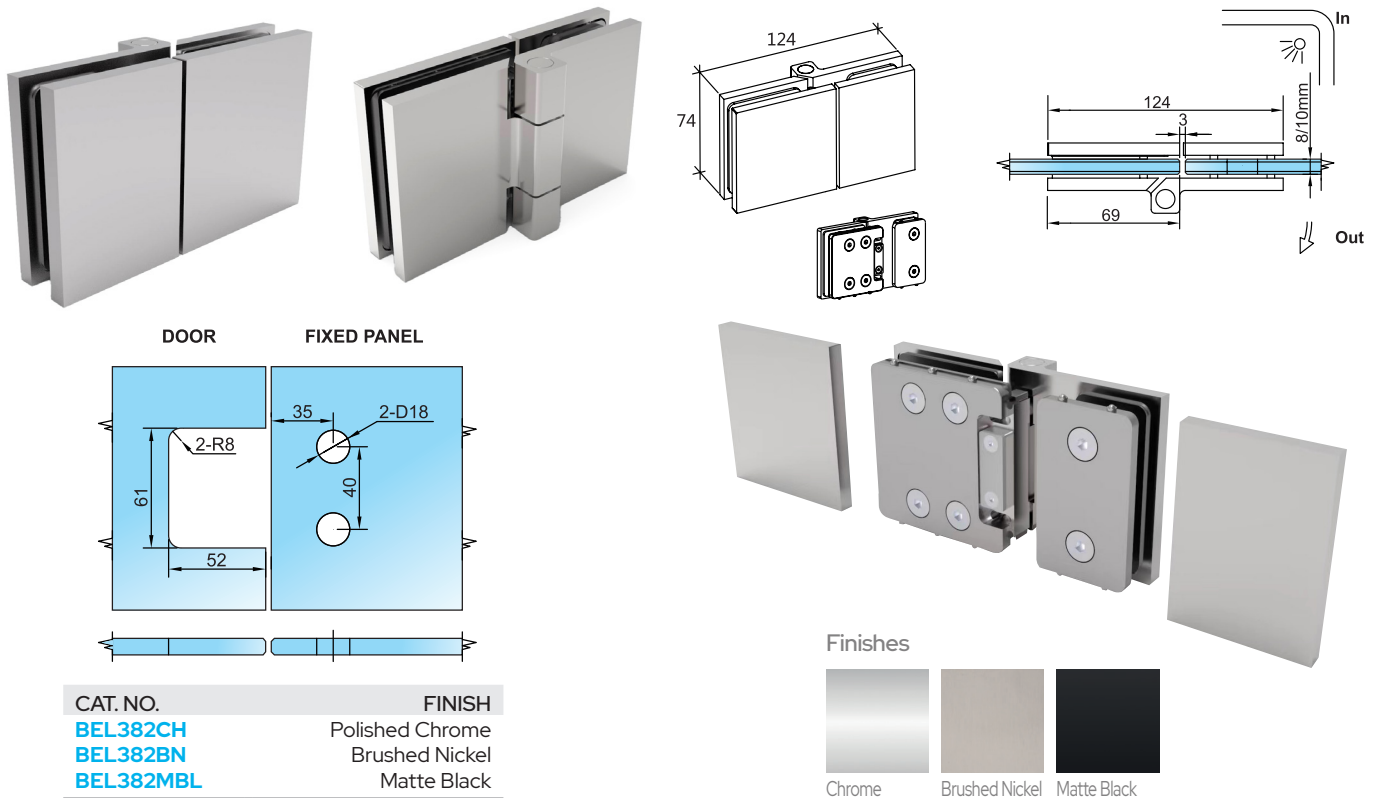


Finishes

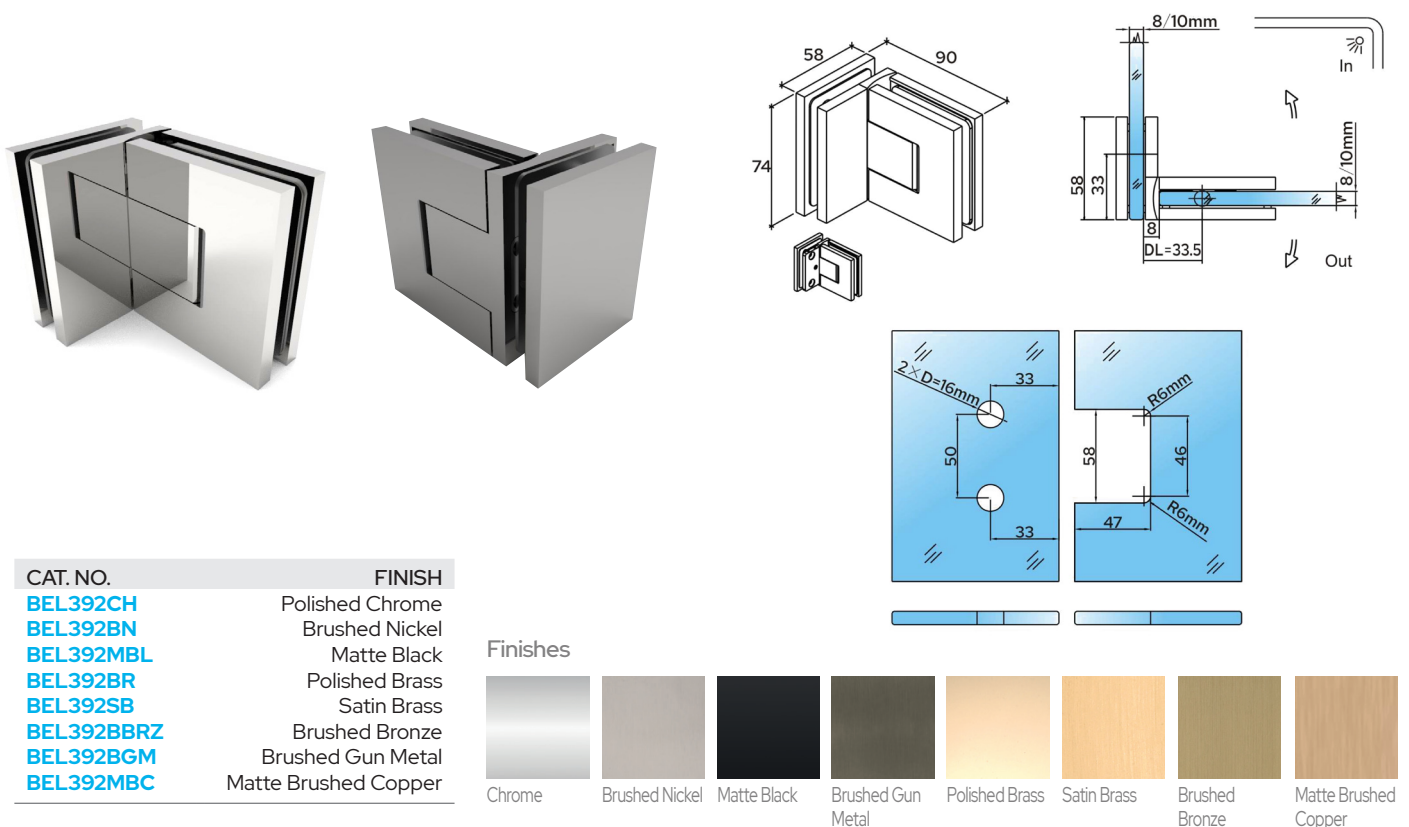
CAT. NO.	FINISH
BEL380CH	Polished Chrome
BEL380BN	Brushed Nickel
BEL380MBL	Matte Black
BEL380BR	Polished Brass
BEL380SB	Satin Brass
BEL380BAB	Brushed Antique Brass
BEL380BBRZ	Brushed Bronze
BEL380MGM	Matte Gun Metal
BEL380BGM	Brushed Gun Metal
BEL380MBC	Matte Brushed Copper
BEL380BCB	Brushed Copper Bronze



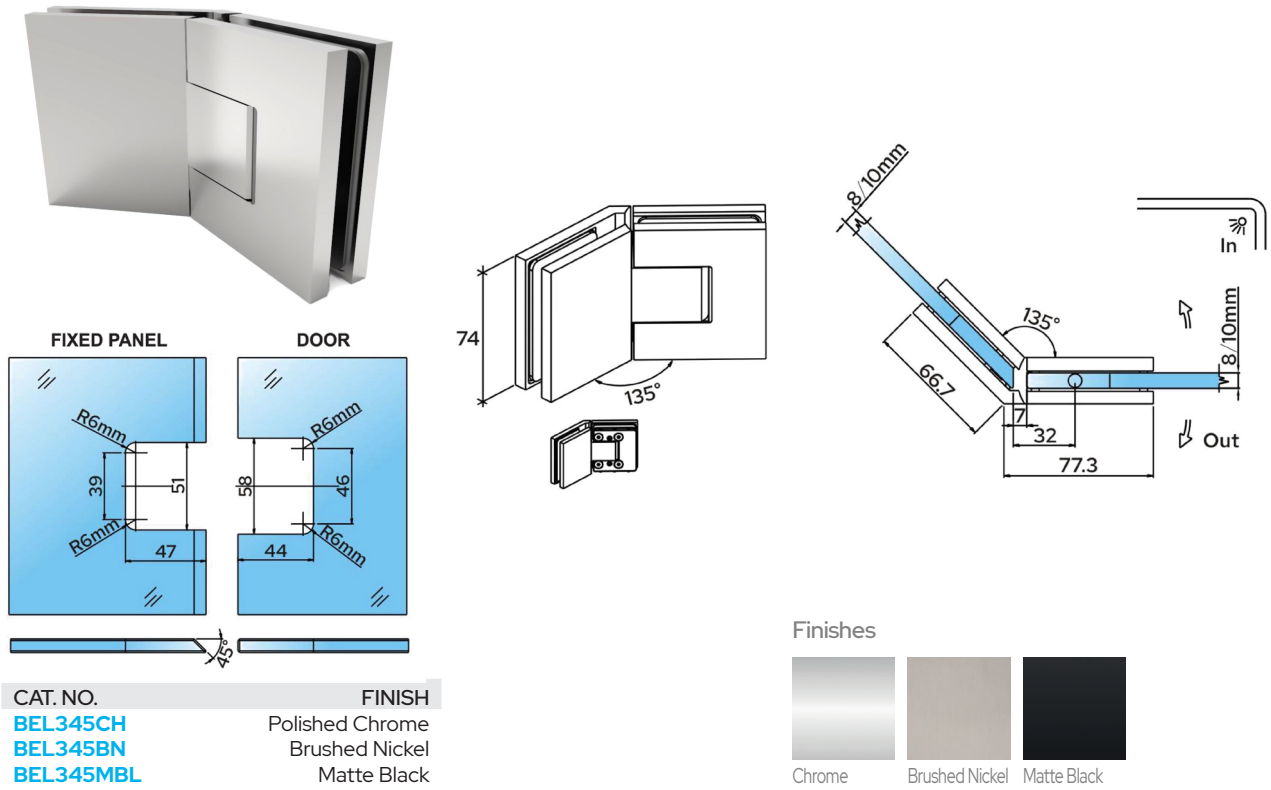
CRL BELLAGIO FOLDING HINGE WITH COVER PLATES 180° GLASS-GLASS



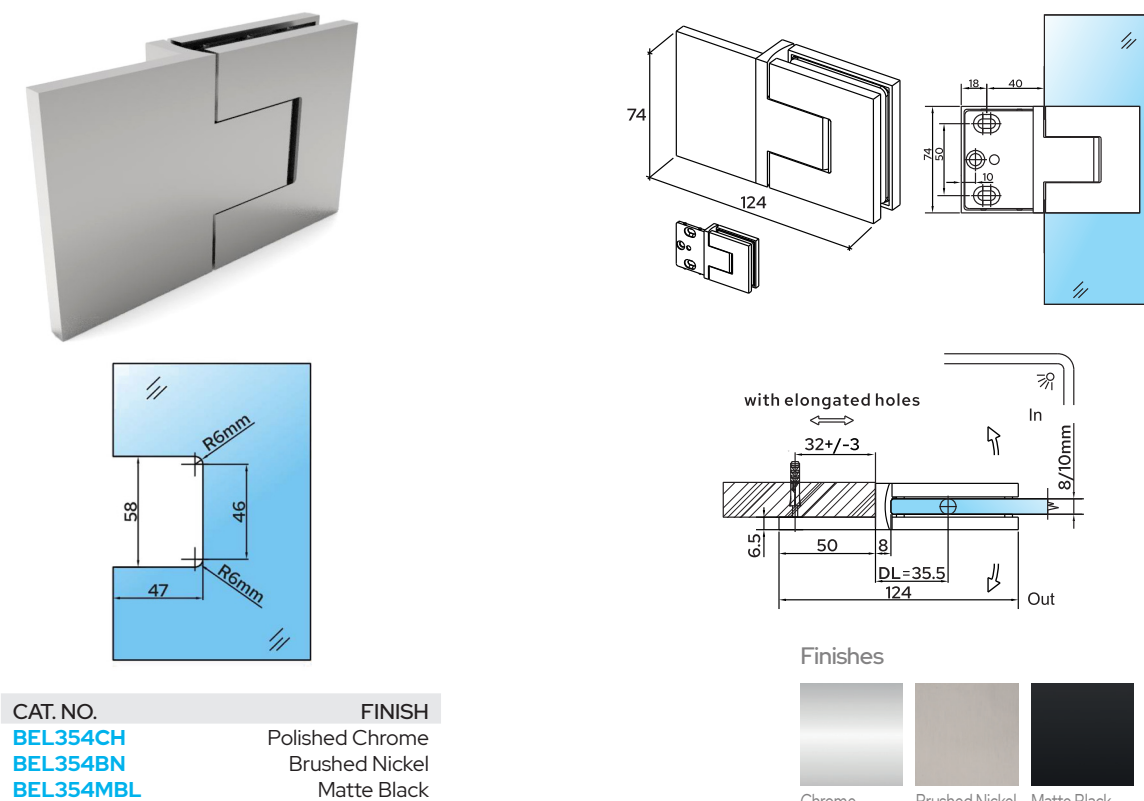
CRL BELLAGIO ADJUSTABLE HINGE WITH COVER PLATES 90° GLASS-GLASS



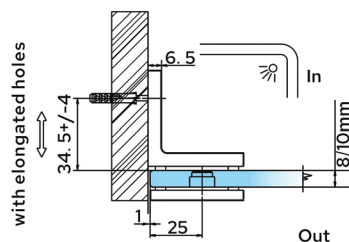
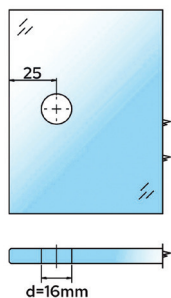
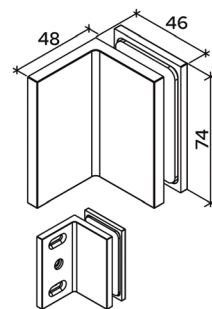
CRL BELLAGIO FOLDING HINGE WITH COVER PLATES 135° GLASS-GLASS



CRL BELLAGIO ADJUSTABLE HINGE WITH COVER PLATES 180° GLASS-WALL

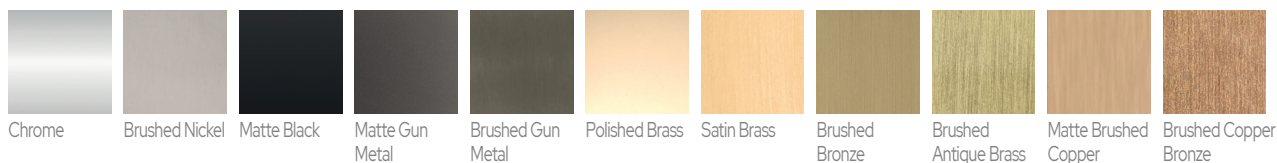


CRL BELLAGIO CLAMP WITH COVER PLATES 90° GLASS-WALL

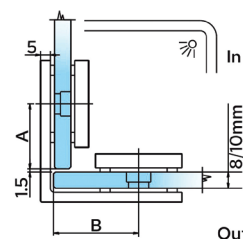
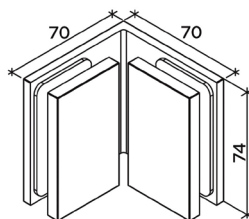
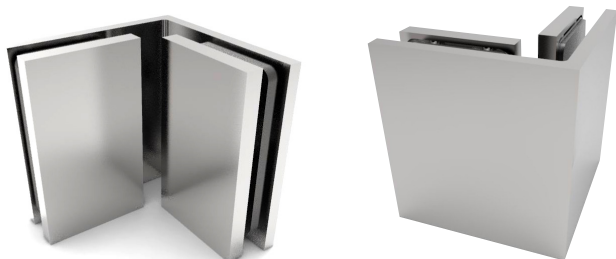


CAT. NO.	FINISH
BEL90SCH	Polished Chrome
BEL90SBN	Brushed Nickel
BEL90SMBL	Matte Black
BEL90SBR	Polished Brass
BEL90SSB	Satin Brass
BEL90SBAB	Brushed Antique Brass
BEL90SBRZ	Brushed Bronze
BEL90SMGM	Matte Gun Metal
BEL90SBGM	Brushed Gun Metal
BEL90SBCB	Matte Brushed Copper
BEL90SBCB	Brushed Copper Bronze

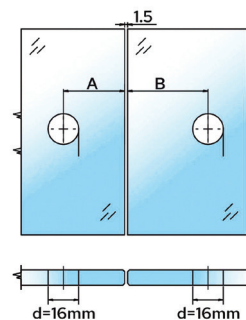
Finishes



CRL BELLAGIO CLAMP WITH COVER PLATES 90° GLASS-GLASS

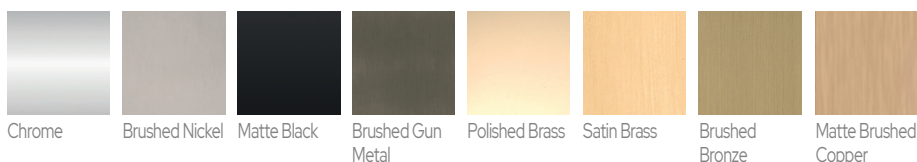


Glass	8mm	10mm
A	32mm	30mm
B	42mm	42mm

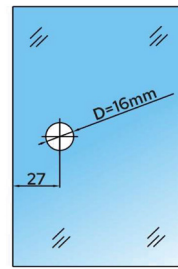
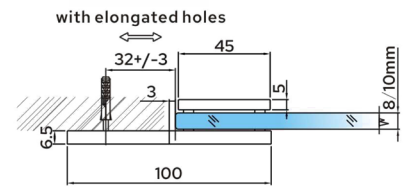
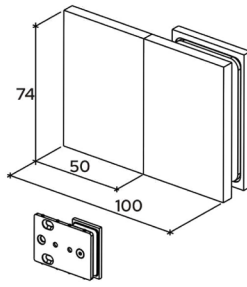


CAT. NO.	FINISH
BELO90CH	Polished Chrome
BELO90BN	Brushed Nickel
BELO90MBL	Matte Black
BELO90BR	Polished Brass
BELO90SB	Satin Brass
BELO90BRZ	Brushed Bronze
BELO90BGM	Brushed Gun Metal
BELO90MBC	Matte Brushed Copper

Finishes



CRL BELLAGIO CLAMP WITH COVER PLATES 180° GLASS-WALL



CAT. NO.	FINISH
BEL180SCH	Polished Chrome
BEL180SBN	Brushed Nickel
BEL180SMBL	Matte Black
BEL180SBR	Polished Brass
BEL180SSB	Satin Brass
BEL180SBBRZ	Brushed Bronze
BEL180SBGM	Brushed Gun Metal
BEL180SMBC	Matte Brushed Copper

Finishes



CRL BELLAGIO SAUNA GASKETS

- Hinge for private sauna facilities (no steam or swimming pool)
- The separate sauna-gaskets replace the gaskets in the hinge box
- For 10 mm toughened glass
- 800 mm maximum door weight
- 40 kg maximum door width

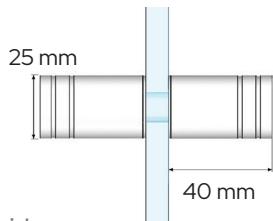


CAT. NO.	DESCRIPTION
BELSD1CHTGG10	Wall to Glass Gasket Set
BELSD1CHTGW10	Glass to Glass Gasket Set



ROUND LONG SHOWER KNOB 25 MM X 40 MM

- Suitable for 6-12 mm Thick Glass
- Requires a 10-12 mm Hole in Glass
- Available in 12 Matching Finishes



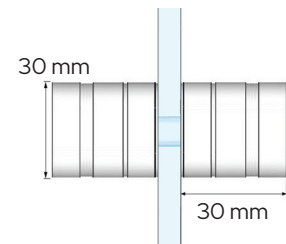
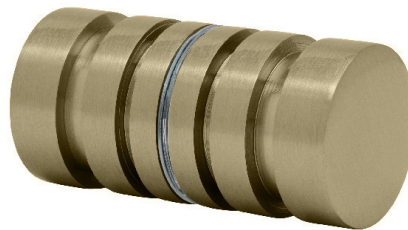
Finishes



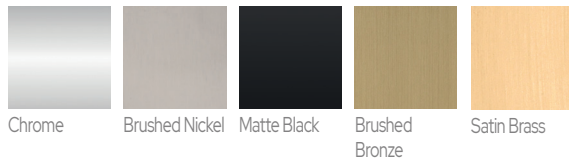
CAT. NO.	FINISH
SDKR2540CH	Polished Chrome
SDKR2540BN	Brushed Nickel
SDKR2540MBL	Matte Black
SDKR2540MGM	Matte Gun Metal
SDKR2540BGM	Brushed Gun Metal
SDKR2540BR	Polished Brass
SDKR2540SB	Satin Brass
SDKR2540BAB	Brushed Antique Brass
SDKR2540BCB	Brushed Copper Bronze

CONTEMPORARY SHOWER KNOB 30 MM X 30 MM

- Suitable for 6-12 mm Thick Glass
- Requires a 10-12 mm Hole in Glass
- Available in 5 Matching Finishes



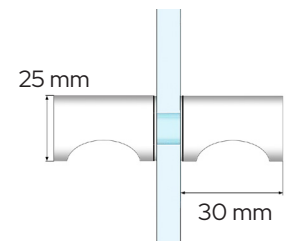
Finishes



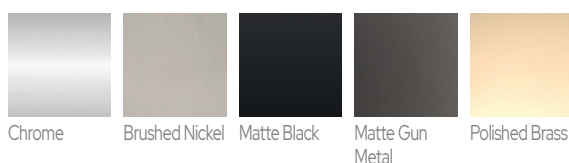
CAT. NO.	FINISH
SDK106CH	Polished Chrome
SDK106BN	Brushed Nickel
SDK106MBL	Matte Black
SDK106BBRZ	Brushed Bronze
SDK106SB	Satin Brass

CRESCENT GRIP SHOWER KNOB 25 MM X 30 MM

- Suitable for 6-12 mm Thick Glass
- Requires a 10-12 mm Hole in Glass
- Available in 5 Matching Finishes



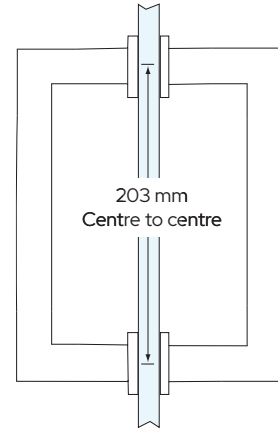
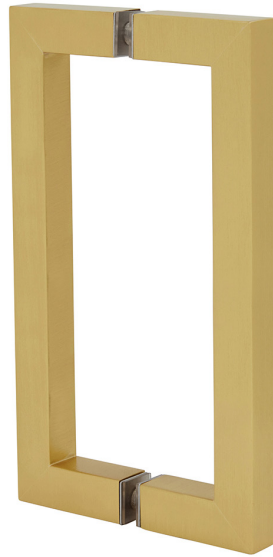
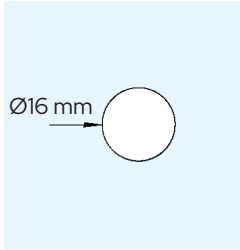
Finishes



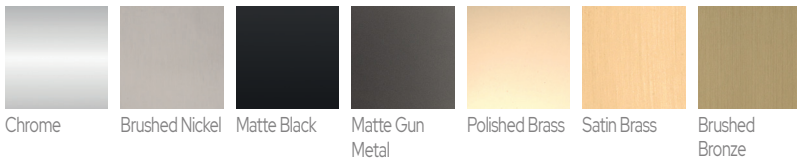
CAT. NO.	FINISH
SDK140CH	Polished Chrome
SDK140BN	Brushed Nickel
SDK140MBL	Matte Black
SDK140MGM	Matte Gun Metal
SDK140BR	Polished Brass

SQUARE SERIES SHOWER HANDLE 203 MM

- Suitable for 6-12 mm Thick Glass
- Requires a 16 mm Hole in Glass
- Available in 7 Matching Finishes



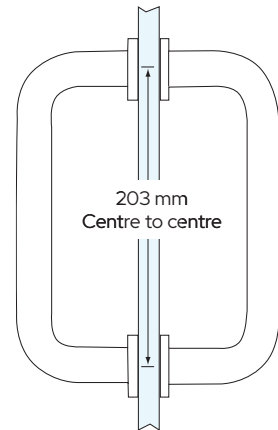
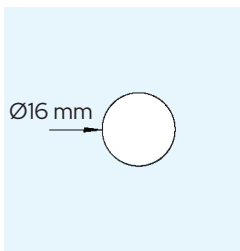
Finishes



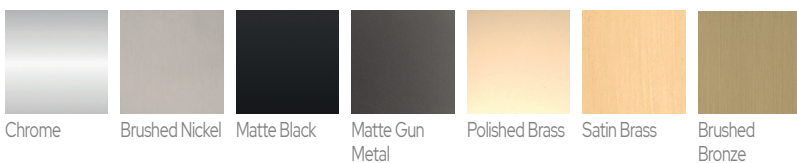
CAT. NO.	FINISH
SQ8X8CH	Polished Chrome
SQ8X8BN	Brushed Nickel
SQ8X8MBL	Matte Black
SQ8X8MGM	Matte Gun Metal
SQ8X8BR	Polished Brass
SQ8X8SB	Satin Brass
SQ8X8BBRZ	Brushed Bronze

SOLID BRASS ROUND SHOWER HANDLE 203 MM

- Suitable for 6-12 mm Thick Glass
- Requires a 16 mm Hole in Glass
- Available in 7 Matching Finishes



Finishes



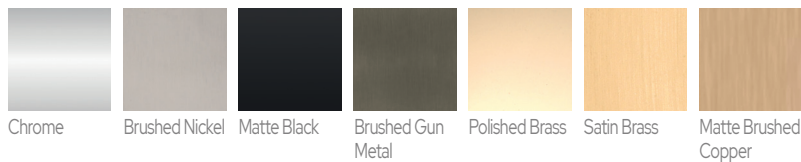
CAT. NO.	FINISH
SPH8CH	Polished Chrome
SPH8BN	Brushed Nickel
SPH8MBL	Matte Black
SPH8MGM	Matte Gun Metal
SPH8BR	Polished Brass
SPH8SB	Satin Brass
SPH8BBRZ	Brushed Bronze

ROUND ADJUSTABLE ANGLE SUPPORT BAR - 1200 MM LONG

- Suitable for 8-10 mm Thick Glass
- Available in 7 Finishes
- Complete set includes, support bar and adjustable wall bracket / glass clamp
- Slimline Round 12mm Diameter Rod



Finishes



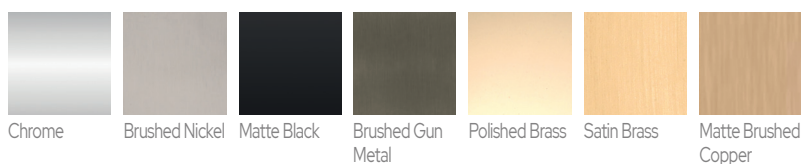
CAT. NO.	FINISH
S1212SETCH	Polished Chrome
S1212SETBN	Brushed Nickel
S1212SETMBL	Matte Black
S1212SETBGM	Brushed Gun Metal
S1212SETBR	Polished Brass
S1212SETSB	Satin Brass
S1212SETMBC	Matte Brushed Copper

SQUARE ADJUSTABLE ANGLE SUPPORT BAR - 1200 MM LONG

- Suitable for 8-10 mm Thick Glass
- Available in 7 finishes
- Complete set includes, support bar and adjustable wall bracket / glass clamp
- Slimline Square 12 mm x 12 mm Rod



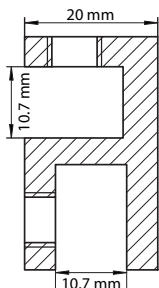
Finishes



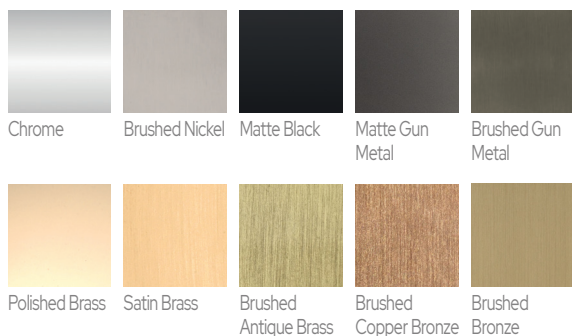
CAT. NO.	FINISH
S1212SETCH	Polished Chrome
S1212SETBN	Brushed Nickel
S1212SETMBL	Matte Black
S1212SETBGM	Brushed Gun Metal
S1212SETBR	Polished Brass
S1212SETSB	Satin Brass
S1212SETMBC	Matte Brushed Copper

OVERHEAD PANEL BRACE CLAMP

- Solid Brass Construction
- Suitable for 8 & 10 mm Thick Glass
- Grub Screw Attachment to Glass
- Available in 10 Matching Finishes



Finishes



CAT. NO.	FINISH
SUPA10CH	Polished Chrome
SUPA10BN	Brushed Nickel
SUPA10MBL	Matte Black
SUPA10BR	Polished Brass
SUPA10SB	Satin Brass
SUPA10BAB	Brushed Antique Brass
SUPA10MGM	Matte Gun Metal
SUPA10BGM	Brushed Gun Metal
SUPA10BCB	Brushed Copper Bronze
SUPA10BBRZ	Brushed Bronze



PERTH SERIES

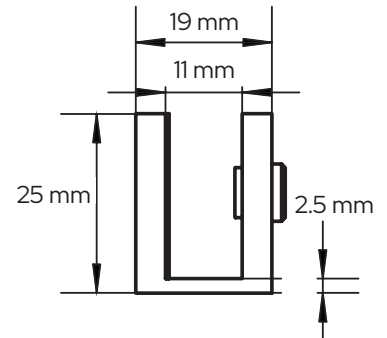
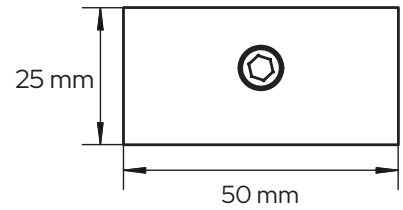
- 36 kg Maximum Door Weight - 2 Hinges
54 kg Maximum Door Weight - 3 Hinges
- 712 mm Maximum Door Width - 2 Hinges
813 mm Maximum Door Width - 3 Hinges
- Pre-Glued in Gaskets for Rapid Installation
- Glass Thickness 10 mm

- High quality adjustable shower door hinges
- Exact zero position adjustable
- Pre-Glued Gaskets for 10 mm Glass
- Self Centering from approximately 25°
- Available in 12 Finishes
- Standard Square Glass Cut-Out
- Solid Brass Construction



SQUARE NO DRILL CLAMP

- Solid Brass Construction
- Suitable for 10 mm Thick Glass
- Grub Screw Attachment to Glass
- Available in 9 Matching Finishes



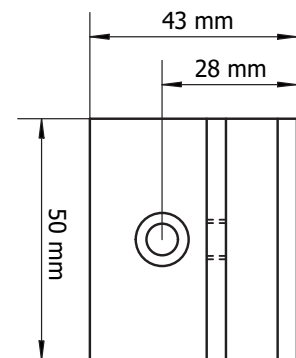
CAT. NO.	FINISH
SGCNDCH	Polished Chrome
SGCNDBN	Brushed Nickel
SGCNDMBL	Matte Black
SGCNDMGM	Matte Gun Metal
SGCNDBGM	Brushed Gun Metal
SGCNDBR	Polished Brass
SGCNDSB	Satin Brass
SGCNDBAB	Brushed Antique Brass
SGCNDBCBC	Brushed Copper Bronze

Finishes



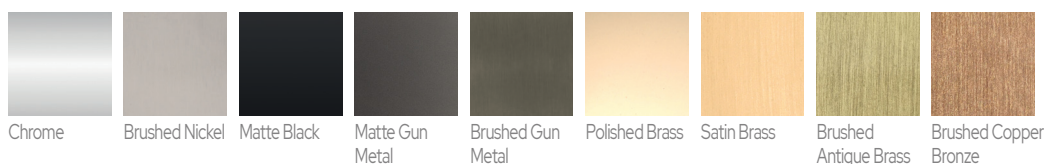
SQUARE NO DRILL CLAMP WITH HORIZONTAL LEG

- Offset Fixing Plate
- Solid Brass Construction
- Suitable for 10 mm Thick Glass
- Grub Screw Attachment to Glass
- Available in 9 Matching Finishes



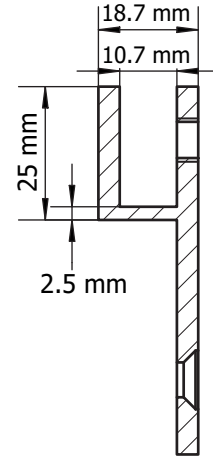
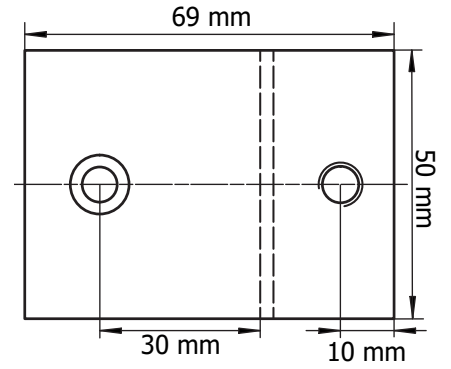
CAT. NO.	FINISH
SGCNDLCH	Polished Chrome
SGCNDLBN	Brushed Nickel
SGCNDLMBL	Matte Black
SGCNDLMGM	Matte Gun Metal
SGCNDLBGM	Brushed Gun Metal
SGCNDLBR	Polished Brass
SGCNDLSB	Satin Brass
SGCNDLBAB	Brushed Antique Brass
SGCNDLBCBC	Brushed Copper Bronze

Finishes



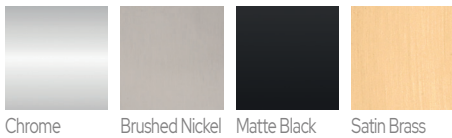
SQUARE NO DRILL CLAMP WITH VERTICAL LEG

- Solid Brass Construction
- Suitable for 10 mm Thick Glass
- Grub Screw Attachment to Glass
- Offset Inline Fixing Plate
- Available in 4 Matching Finishes



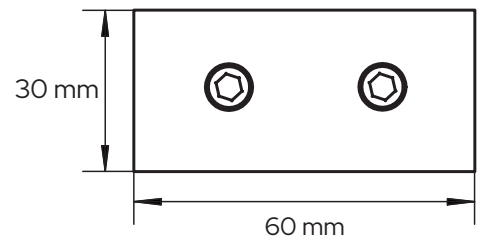
CAT. NO.	FINISH
SGCNDL180CH	Polished Chrome
SGCNDL180BN	Brushed Nickel
SGCNDL180MBL	Matte Black
SGCNDL180SB	Satin Brass

Finishes

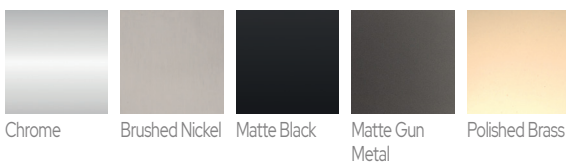


SQUARE DOUBLE SCREW NO DRILL CLAMP

- Solid Brass Construction
- Suitable for 10 mm Thick Glass
- Grub Screw Attachment to Glass
- Available in 5 Matching Finishes



Finishes

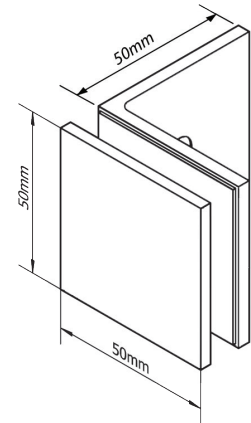
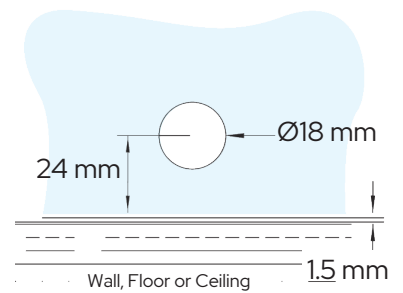
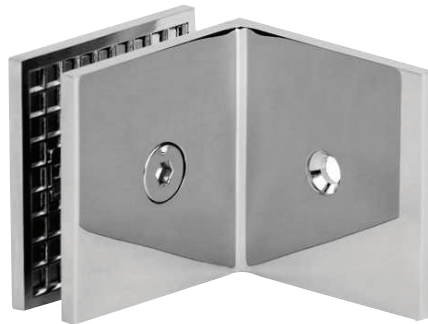


CAT. NO.	FINISH
NDC4CH	Polished Chrome
NDC4BN	Brushed Nickel
NDC4MBL	Matte Black
NDC4MGM	Matte Gun Metal
NDC4BR	Polished Brass

SQUARE 90° WALL TO GLASS BRACKET

- Brass Construction
- Suitable for 10 - 12 mm Thick Glass
- Available in 9 Matching Finishes

CAT. NO.	FINISH
SGCWMCH	Polished Chrome
SGCWMBN	Brushed Nickel
SGCWMMBL	Matte Black
SGCWMMGM	Matte Gun Metal
SGCWMBGM	Brushed Gun Metal
SGCWMBR	Polished Brass
SGCWMSB	Satin Brass
SGCWMBAB	Brushed Antique Brass
SGCWBCB	Brushed Copper Bronze



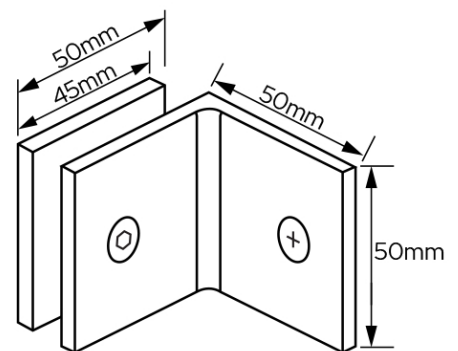
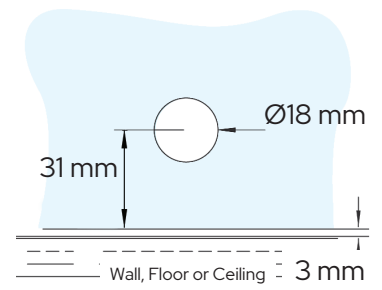
Finishes



SQUARE 90° WALL TO GLASS BRACKET - SB50 STYLE

- Brass Construction
- Suitable for 10 - 12 mm Thick Glass
- Available in 9 Matching Finishes

CAT. NO.	FINISH
SGC50CH	Polished Chrome
SGC50BN	Brushed Nickel
SGC50MBL	Matte Black
SGC50MGM	Matte Gun Metal
SGC50BGM	Brushed Gun Metal
SGC50BR	Polished Brass
SGC50SB	Satin Brass
SGC50BAB	Brushed Antique Brass
SGC50BCB	Brushed Copper Bronze

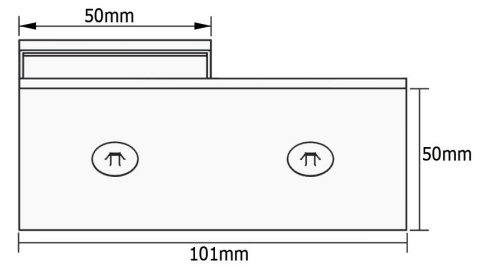
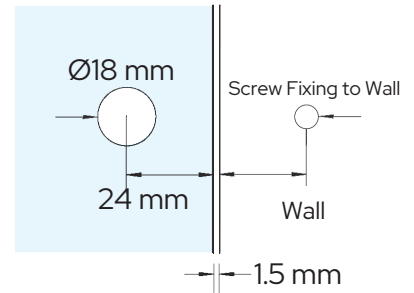


Finishes



SQUARE 180° WALL TO GLASS INLINE BRACKET

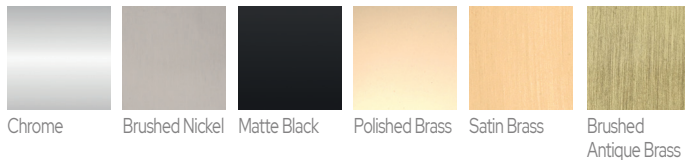
- Brass Construction
- Suitable for 10 - 12 mm Thick Glass
- Available in 6 Matching Finishes



CAT. NO.	FINISH
SGC180WMCH	Polished Chrome
SGC180WMBN	Brushed Nickel
SGC180WMMBL	Matte Black
SGC180WMBR	Polished Brass
SGC180WMSB	Satin Brass
SGC180WMBAB	Brushed Antique Brass



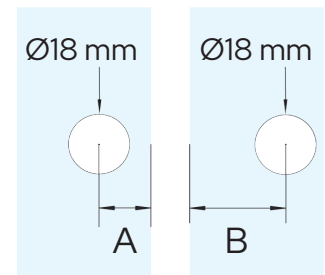
Finishes



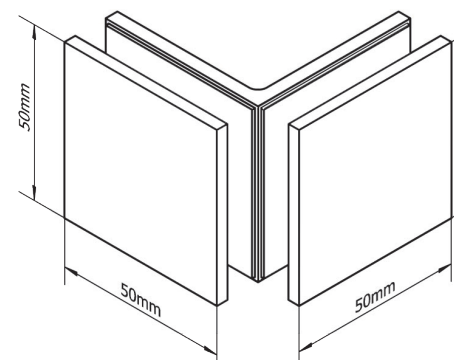
SQUARE 90° GLASS TO GLASS BRACKET

- Brass Construction
- Suitable for 10 - 12 mm Thick Glass
- Available in 8 Matching Finishes

CAT. NO.	FINISH
SGC90DCH	Polished Chrome
SGC90DBN	Brushed Nickel
SGC90DMBL	Matte Black
SGC90DMGM	Matte Gun Metal
SGC90DBGM	Brushed Gun Metal
SGC90DBR	Polished Brass
SGC90DSB	Satin Brass
SGC90DBAB	Brushed Antique Brass



GLASS THICKNESS	"A"	"B"
10 mm	25 mm	37 mm
12 mm	25 mm	39 mm

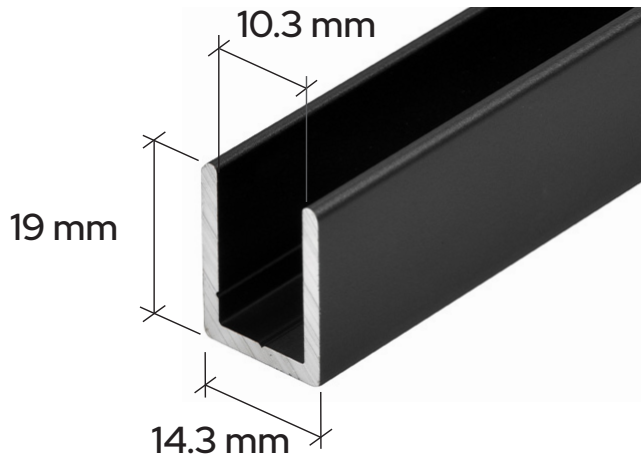


Finishes



19 MM X 14.3 MM DEEP U-CHANNEL

- Designed for 10 mm thick Glass
- Available in 7 Matching Finishes
- Superior 2 mm thick wall
- Available in 2.41 m and 3.66 m Lengths



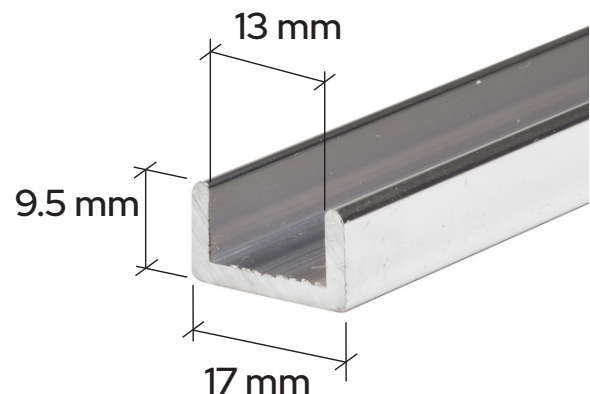
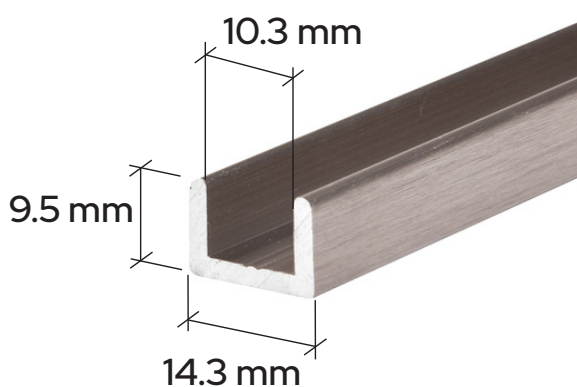
2.41 M LENGTH CAT. NO.	3.66 M LENGTH CAT. NO.	FINISH
SDCD38BA	SDCD3812BA	Bright Anodized
SDCD38BN	SDCD3812BN	Brushed Nickel
SDCD38MBL	SDCD3812MBL	Matte Black
SDCD38MGM	SDCD3812MGM	Matte Gun Metal
SDCD38BGA	SDCD3812BGA	Bright Gold Anodised
SDCD38SB	SDCD3812SB	Satin Brass
SDCD38BCB	SDCD3812BCB	Brushed Copper Bronze

Finishes

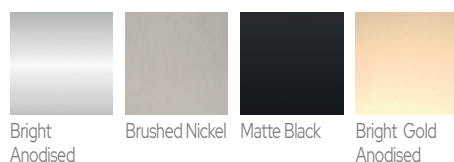


9.5 MM X 14.3 MM & 9.5 MM X 17 MM REGULAR U-CHANNEL - 2.4M

- Designed for 10 mm thick Glass
- Available in 4 Finishes
- Superior 2 mm thick wall



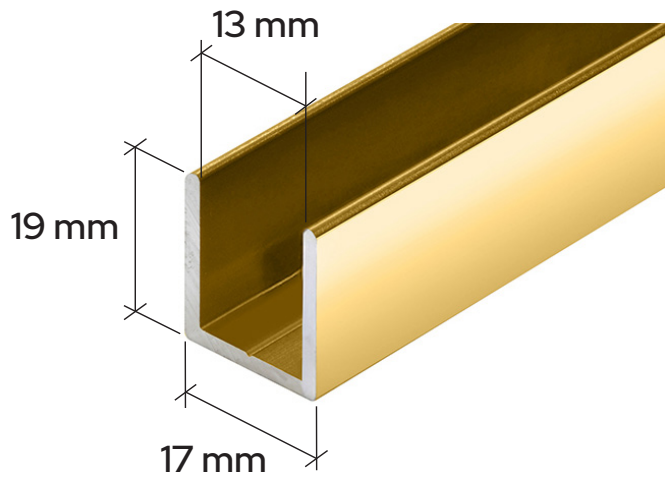
Finishes



14.3 MM WIDE CAT. NO.	17 MM WIDE CAT. NO.	FINISH
SDCR38BA	SDCR12BA	Bright Anodized
SDCR38BN	SDCR12BN	Brushed Nickel
SDCR38MBL	SDCR12MBL	Matte Black
SDCR38BGA	SDCR12BGA	Bright Gold Anodised

19 MM X 17.3 MM DEEP U-CANNEL

- Designed for 12 mm thick Glass
- Available in 7 Matching Finishes
- Superior 2 mm thick wall
- Available in 2.41 m and 3.66 m Lengths



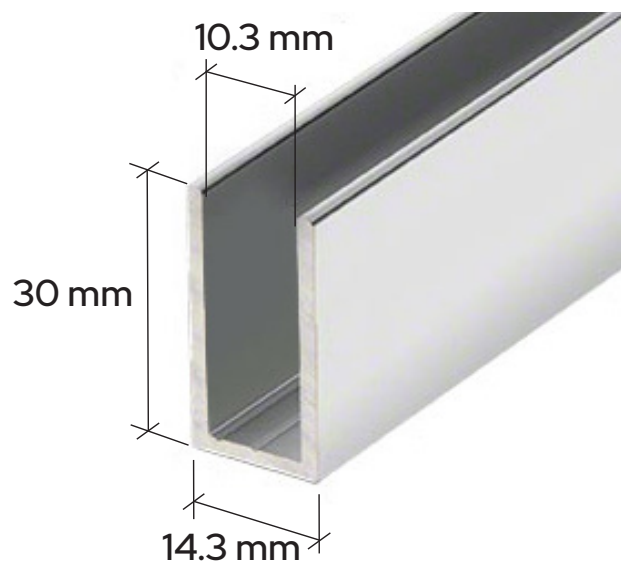
2.41 M LENGTH CAT. NO.	3.66 M LENGTH CAT. NO.	FINISH
SDCD12BA	SDCD1212BA	Bright Anodized
SDCD12BN	SDCD1212BN	Brushed Nickel
SDCD12MBL	SDCD1212MBL	Matte Black
SDCD12MGM	SDCD1212MGM	Matte Gun Metal
SDCD12BGA	SDCD1212BGA	Bright Gold Anodised
SDCD12SB	SDCD1212SB	Satin Brass
SDCD12BCB	SDCD1212BCB	Brushed Copper Bronze

Finishes

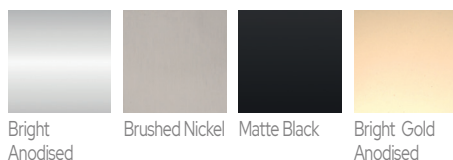


30 MM X 14.3 MM EXTRA DEEP U-CANNEL - 2.4 M

- Designed for 10 mm thick Glass
- Available in 4 Finishes
- Superior 2 mm thick wall



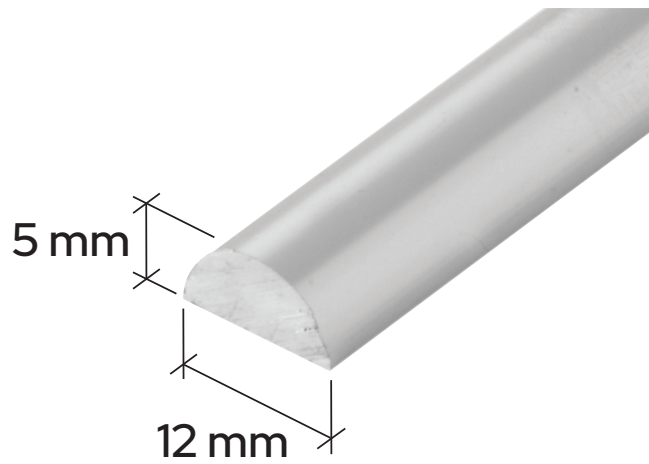
Finishes



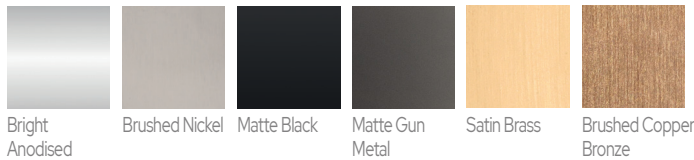
CAT. NO.	FINISH
SDCE38BA	Bright Anodized
SDCE38BN	Brushed Nickel
SDCE38MBL	Matte Black
SDCE38BGA	Bright Gold Anodised

5 MM X 12 MM HALF MOON WATER BAR THRESHOLD - 2 M

- Low Profile, Minimalistic Style
- Available in 6 Matching Finishes
- Solid Aluminium



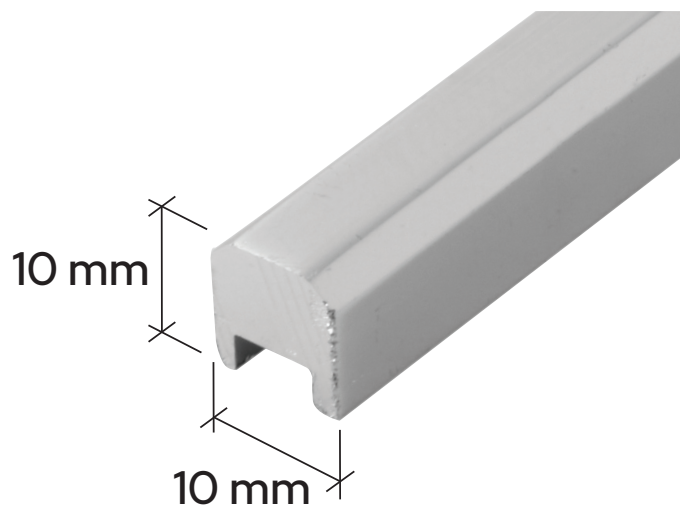
Finishes



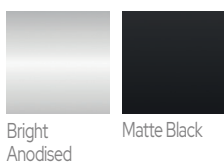
CAT. NO.	FINISH
WBCH	Polished Chrome / Bright Anodised
WBBN	Brushed Nickel
WBMBL	Matte Black
WBMGM	Matte Gun Metal
WBSB	Satin Brass
WBBCB	Brushed Copper Bronze

10 MM X 10 MM SQUARE WATER BAR THRESHOLD - 2 M

- Higher Profile for Greater Water Retention
- Available in 2 Finishes



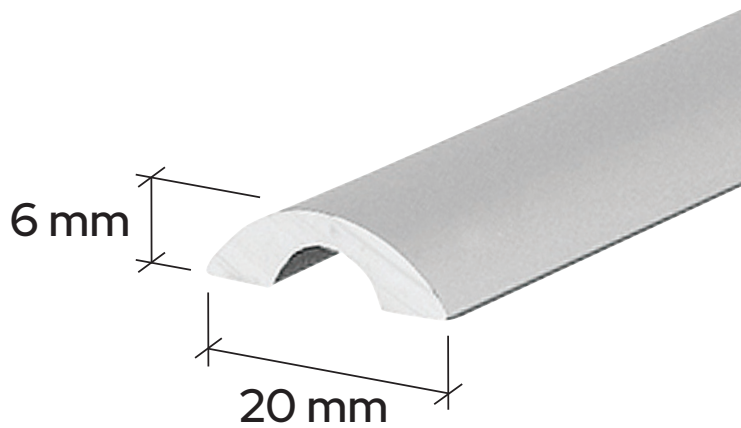
Finishes



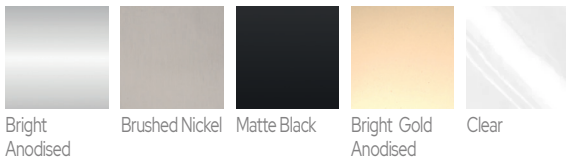
CAT. NO.	FINISH
WBCHSQ	Polished Chrome / Bright Anodised
WBMBLSQ	Matte Black

6 MM X 20 MM HALF MOON WATER BAR THRESHOLD - 2.4 M

- Perfect for Flat or Out-Sloping Curbs
- Available in 5 Matching Finishes



Finishes



Bright Anodised

Brushed Nickel

Matte Black

Bright Gold Anodised

Clear

CAT. NO.

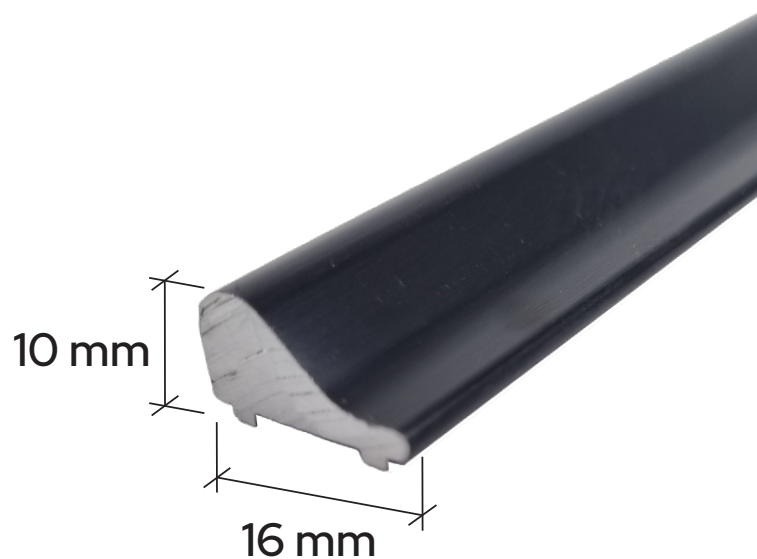
FINISH

SDT980BA
SDT980BN
SDT980MBL
SDT980BGA
SDT980CLR

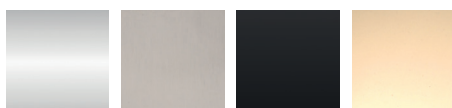
Polished Chrome / Bright Anodised
Brushed Nickel
Matte Black
Polished Brass / Bright Gold Anodised
Clear

10 MM X 16 MM TEAR DROP WATER BAR THRESHOLD - 2.4 M

- Higher Teardrop Profile Promotes Better Water Retention
- Available in 4 Finishes



Finishes



Bright Anodised

Brushed Nickel

Matte Black

Bright Gold Anodised

CAT. NO.

FINISH

S1L001BA
S1L001BN
S1L001MBL

Polished Chrome / Bright Anodised
Brushed Nickel
Matte Black

CLEAR CO-EXTRUDED BOTTOM WIPE WITH DRIP RAIL

- Our Most Popular Bottom Sweep
- Snaps on Bottom of Door
- 45° Drip Rail Assists in Deflecting Water Back Into the Enclosure
- Styles for 6 mm to 12 mm Glass
- Suggested Max Gap: 11 mm



Finishes



Clear

CAT. NO.	LENGTH	GLASS THICKNESS
P914WS	2.4 m	6 mm
P956WS	2.4 m	8 mm
P990WS	2.4 m	10 mm
P990WS91CM	0.91 m	10 mm
P912WS	2.4 m	12 mm

CLEAR DUAL DUROMETER PVC SEAL WITH WIPE

- Versatile Seal Can Be Used as Bottom Sweep, or Vertically on Bi-Fold Doors
- Snap on Application
- Styles for 6 mm to 12 mm Glass
- Suggested Max Gap: 6 mm



Finishes

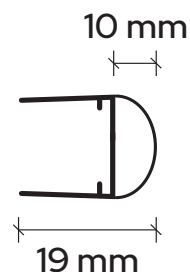


Clear

CAT. NO.	LENGTH	GLASS THICKNESS
P14WS	2.4 m	6 mm
P770WS	2.4 m	8 mm
P880WS	2.4 m	10 mm
P120WS	2.4 m	12 mm

CLEAR POLYCARBONATE 'U' WITH BULB SEAL

- Can Be Used on Inswing and Outswing Doors
- Snap on Application
- Styles for 8 mm to 12 mm Glass
- Suggested Max Gap: 6 mm



Finishes

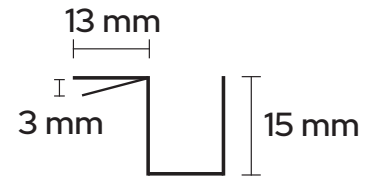


Clear

CAT. NO.	LENGTH	GLASS THICKNESS
PCR8	2.4 m	8 mm
PCR10	2.4 m	10 mm
PCR12	2.4 m	12 mm

CLEAR 90° RETURN STRIKE SIDE SEAL

- Excellent Seal for 90° Enclosures
- Snap on Application to the Fixed Return Panel
- Styles for 8 mm & 10 mm Glass



Finishes

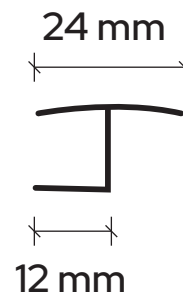


Clear

CAT. NO.	LENGTH	GLASS THICKNESS
PCJ8	2.4 m	8 mm
PCJ10	2.4 m	10 mm

CLEAR POLYCARBONATE SOFT / HARD LEG 'H' JAMB 180°

- Soft Vinyl Single Leg for Quieter Door Closure
- Hard Leg for Secured Sealing and Longevity
- Snap on Application
- Styles for 6 mm to 12 mm Glass
- Suggested Gap: 5 mm



Finishes



Clear

CAT. NO.	LEG TYPE	LENGTH	GLASS THICKNESS
PCC8	SOFT LEG	2.4 m	8 mm
PCC10	SOFT LEG	2.4 m	10 mm
PCC12	SOFT LEG	2.4 m	12 mm
P140HJ	HARD LEG	2.4 m	6 mm
P516HJ	HARD LEG	2.4 m	8 mm
P380HJ	HARD LEG	2.4 m	10 mm
P120HJ	HARD LEG	2.4 m	12 mm

TRANSLUCENT VINYL EDGE 'V' SEAL WITH TAPE

- Seals Gaps from 5 to 6 mm
- Pre-Applied Clear Very Hi-Bond Tape
- Typically Used on Doors Swinging One Way



Finishes



Clear

CAT. NO.	LENGTH / PACK QTY	SIZE
SDTST2	2.4 m - Packs of 5	8 mm Soft & 8 mm Rigid Leg



Call on 1800 424 275

Fax on 1800 813 013

Melbourne

42 Enterprise Drive

Rowville

VIC 3178

Tel. +61 3 9730 3000

Sydney

9 Shale Place

Eastern Creek

NSW 2766

Tel. +61 2 9851 3444

Enquiries

Email: crlaus@crlaurence.com

www.crlaurence.com.au

CRL[®]