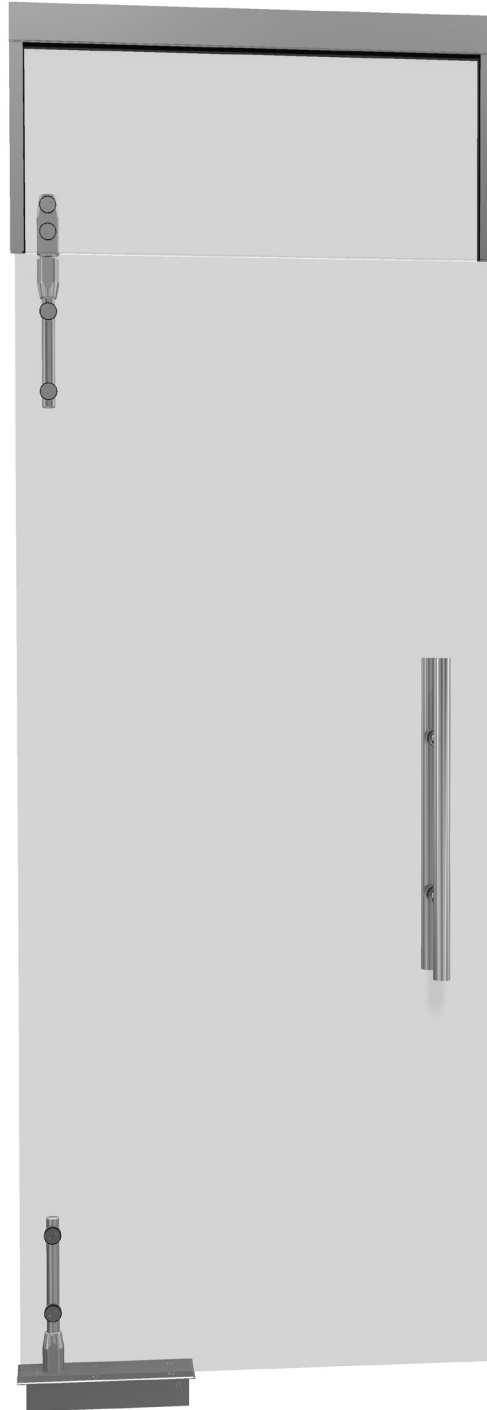




# INSTALLATION INSTRUCTIONS

crlaurence.com

## CRL LS24 LAGUNA SERIES PIVOT DOOR WITH TRANSOM



---

# TABLE OF CONTENTS

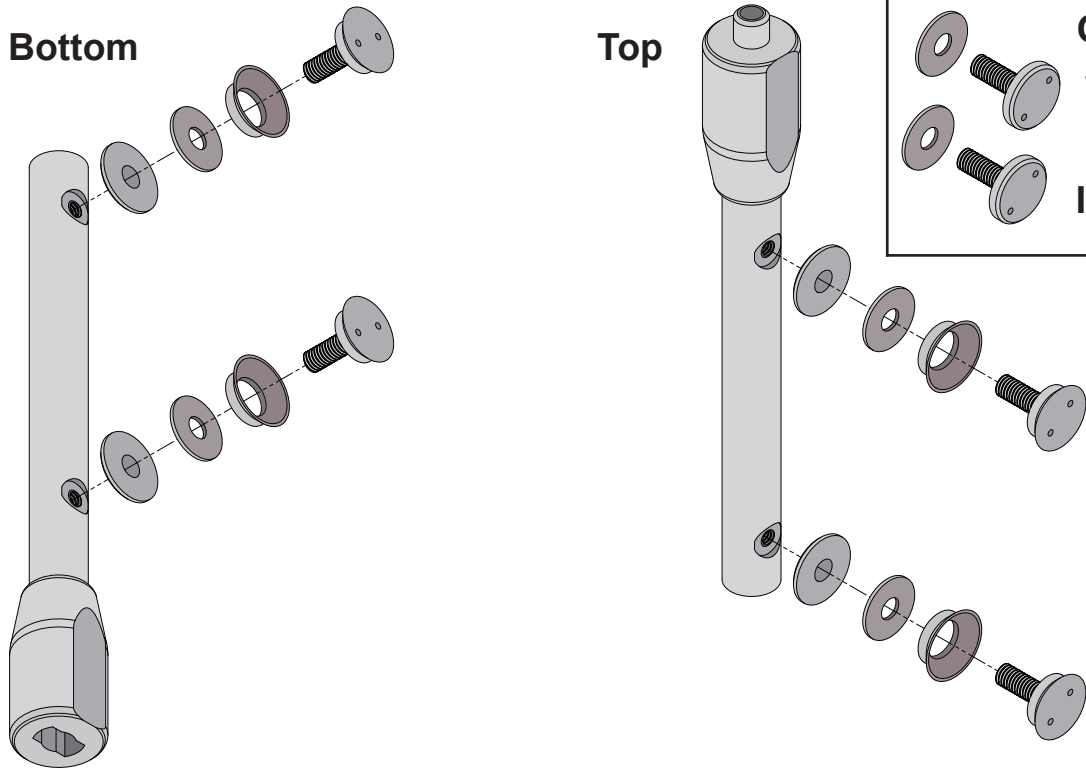
COMPONENT PARTS ..... 03

DOOR PREPARATION ..... 04

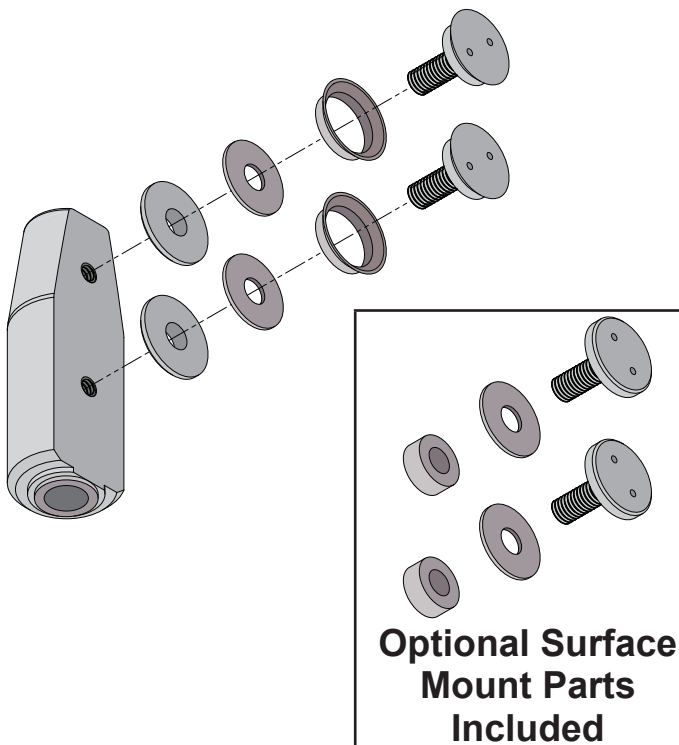
DOOR INSTALLATION ..... 05-06

# FLUSH MOUNT COMPONENT PARTS

## LS5 Pivot Rod Sets



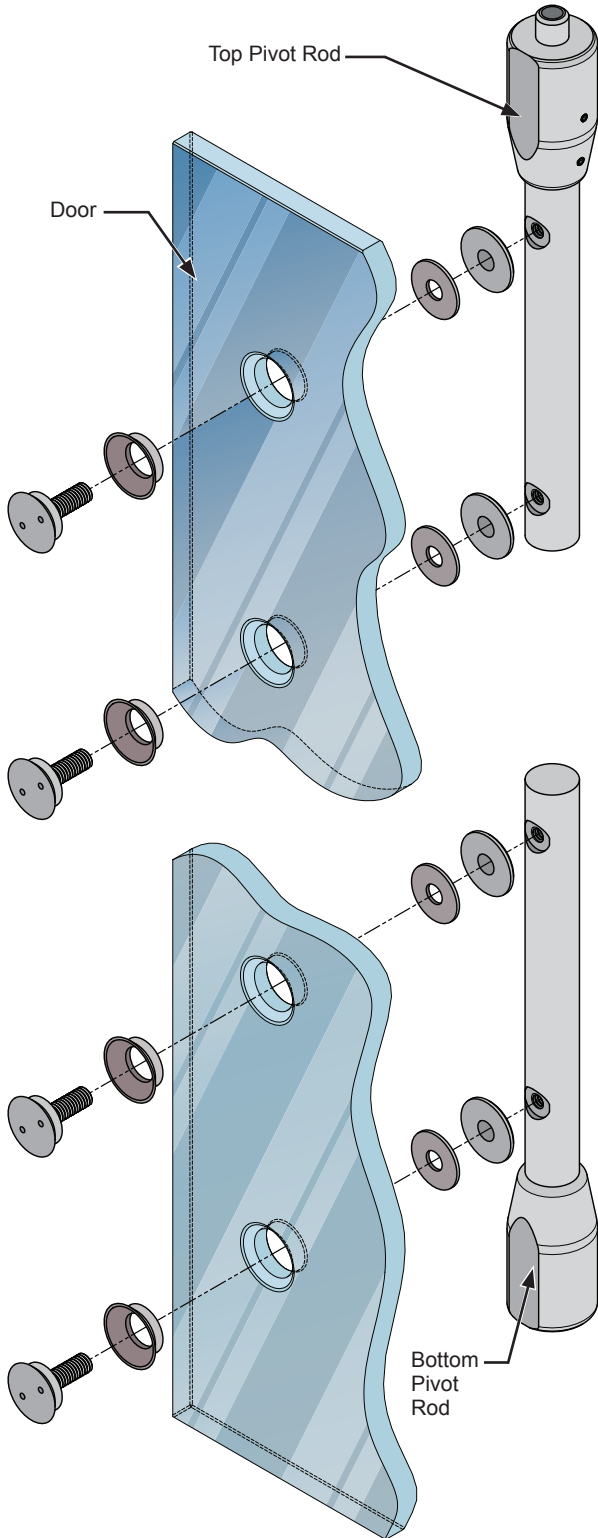
## LS2 Transom Mounted Free-Swinging Top Pivot



# DOOR PREPARATION

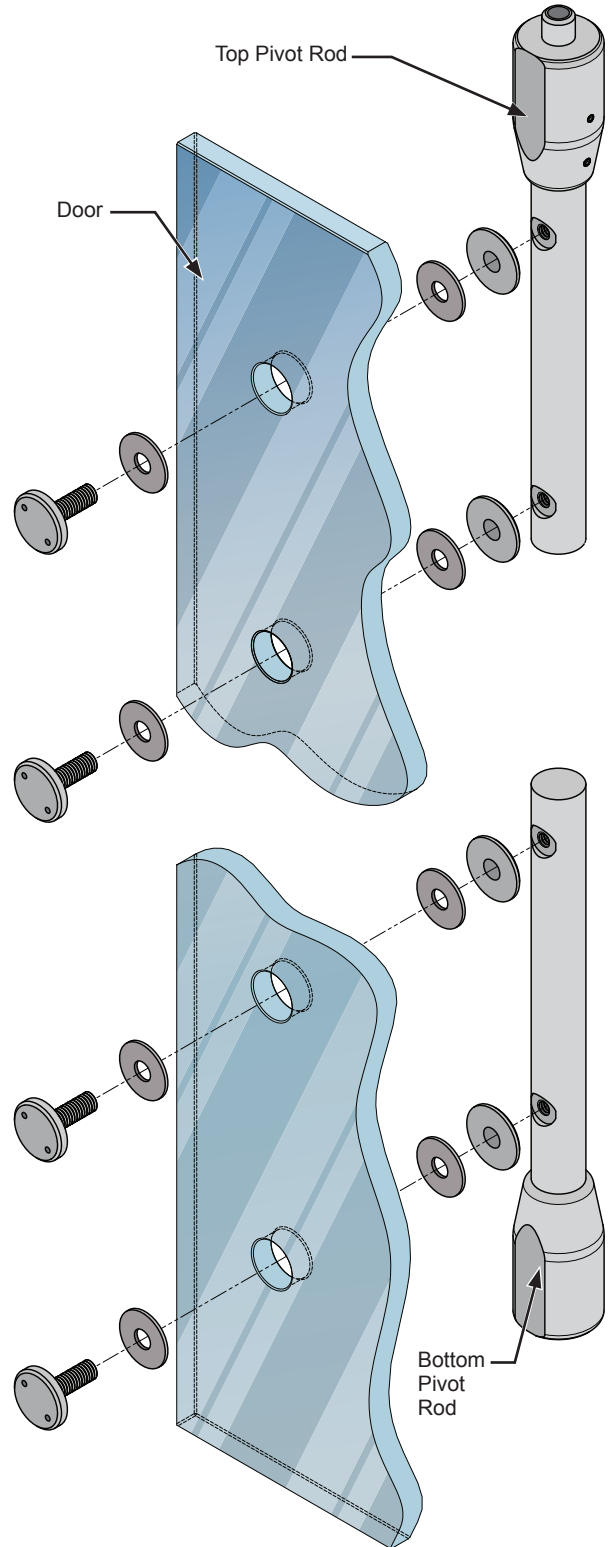
## FLUSH MOUNT PIVOT RODS INSTALLATION

1. Install the Pivot Rods to the door as shown.



## SURFACE MOUNT PIVOT RODS INSTALLATION

1. Install the Pivot Rods to the door as shown.



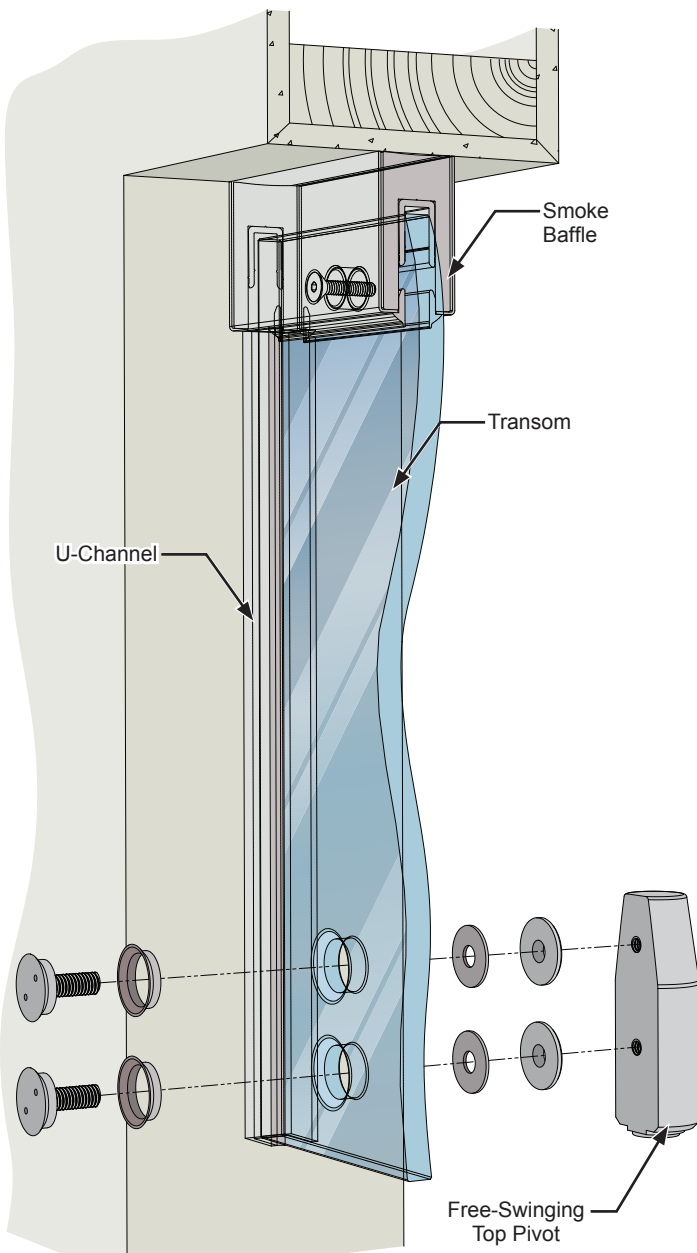
# DOOR INSTALLATION

## FLUSH MOUNT TOP PIVOT INSTALLATION

1. Install the Smoke baffle on top and Channel or Glass Clamps on both sides.
2. Install the Free-Swinging Pivot to the transom as shown.
3. Install the floor closer or free-swinging bottom pivot.

NOTE: Must be mounted to the drop soffit or ceiling with appropriate structural backing.

NOTE: Make sure to use a laser or plumb bob to ensure top and bottom pivots are aligned.

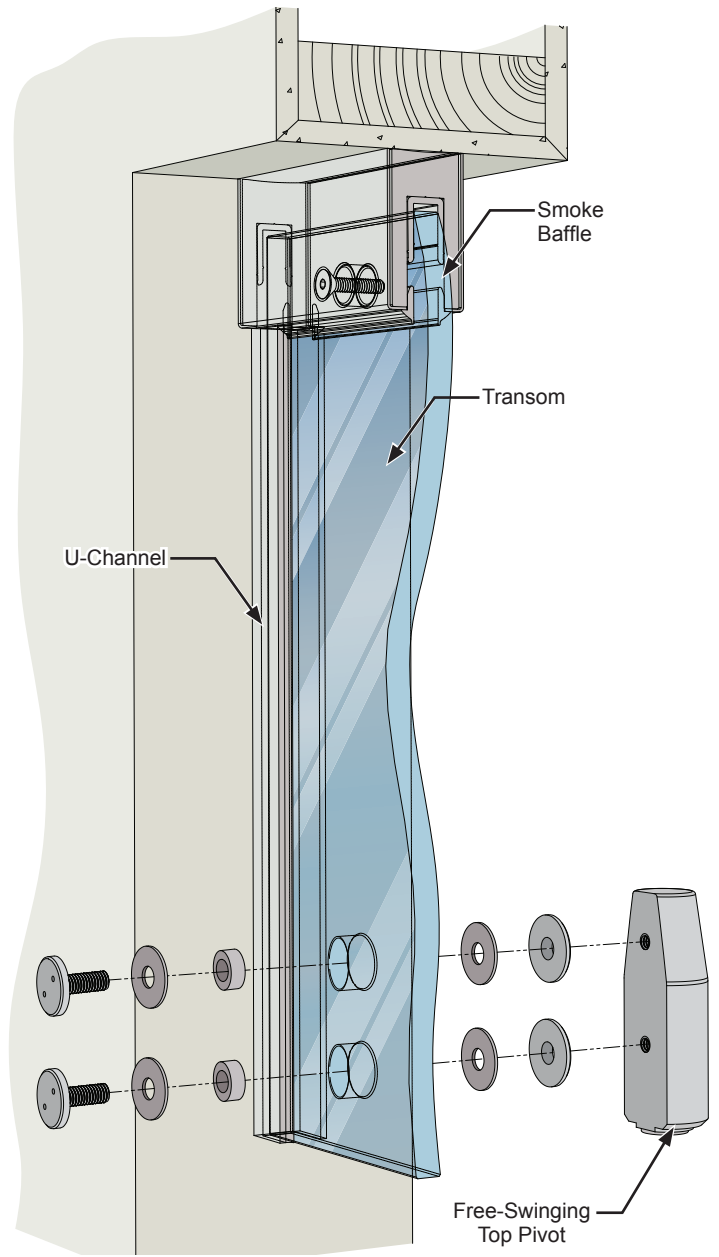


## SURFACE MOUNT TOP PIVOT INSTALLATION

1. Install the Smoke baffle on top and Channel or Glass Clamps on both sides.
2. Install the Free-Swinging Pivot to the transom as shown.
3. Install the floor closer or free-swinging bottom pivot.

NOTE: Must be mounted to the drop soffit or ceiling with appropriate structural backing.

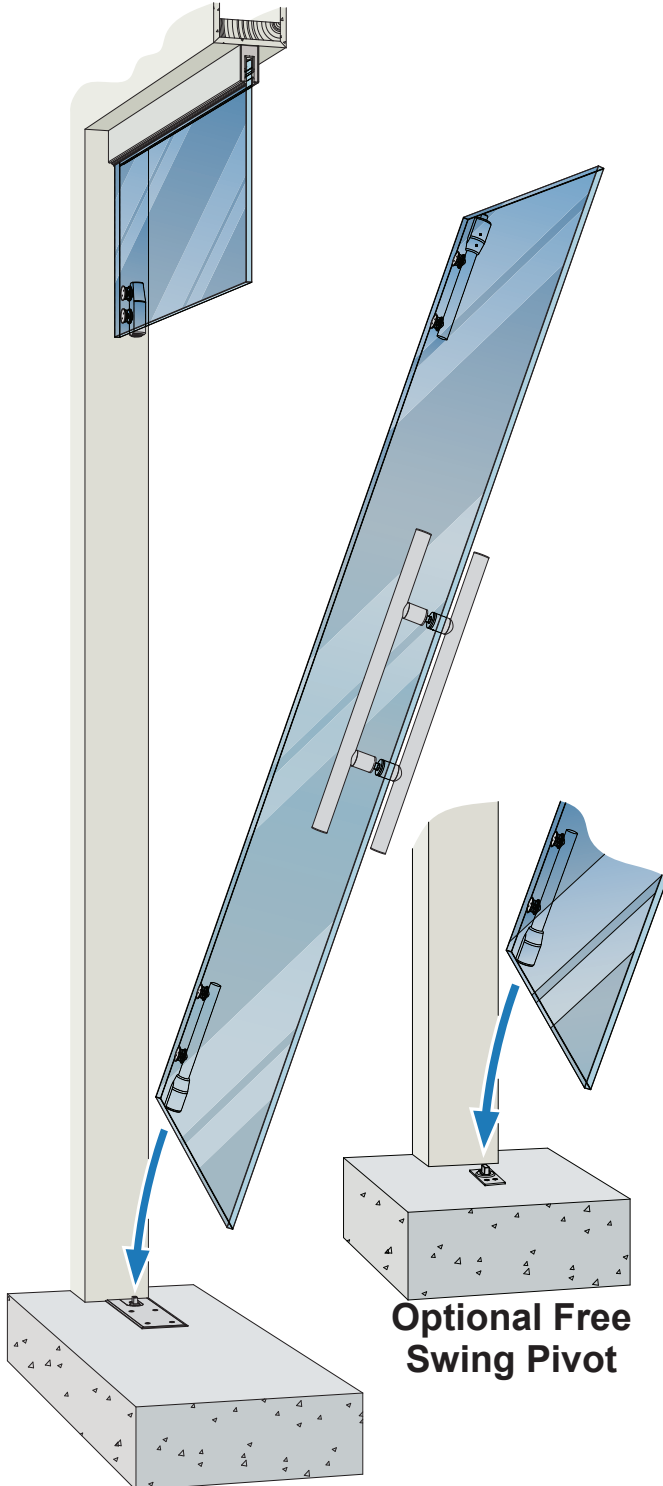
NOTE: Make sure to use a laser or plumb bob to ensure top and bottom pivots are aligned.



# DOOR INSTALLATION

## INSTALL THE DOOR

1. Loosen the (2) 10-32 set screws on the spindle of the Top Pivot Rod and glide the top pivot knuckle down.
2. Lift the door and place the Bottom Pivot Rod onto the closer spindle or pivot.



## SECURE THE DOOR TO THE TOP PIVOT

1. Lift the spindle upwards into the Free-Swinging Top Pivot.
2. Secure the spindle by re-tightening the (2) 10-32 set screws.

